

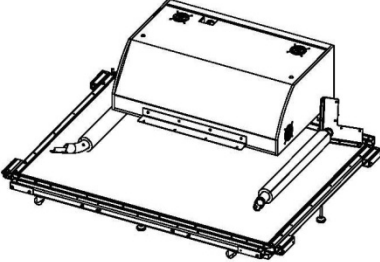
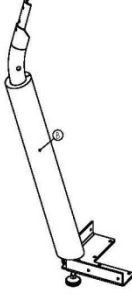
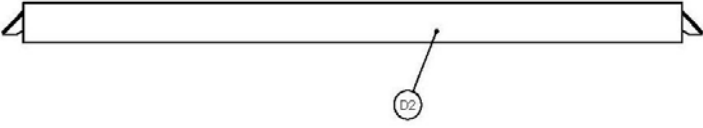
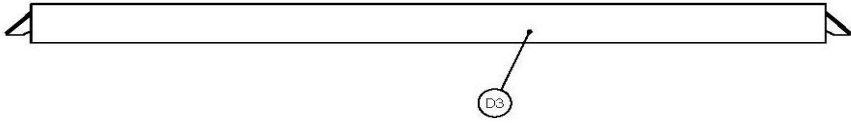
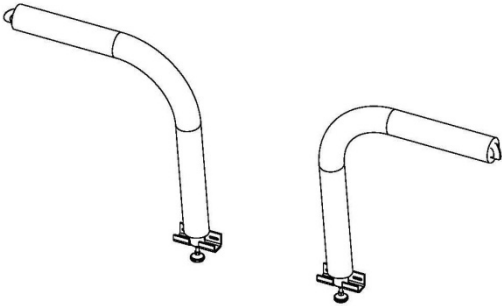
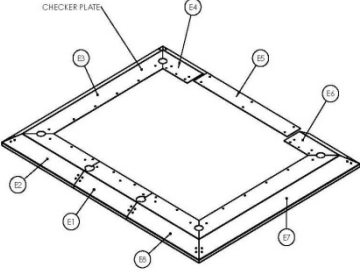
Installation Manual

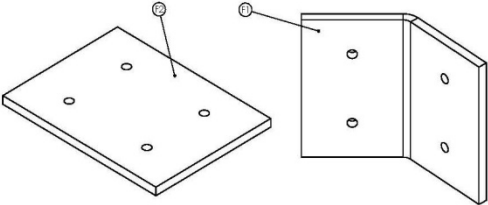
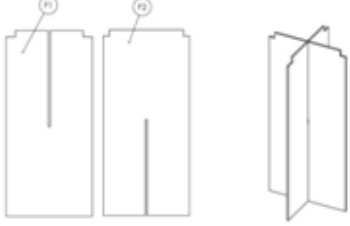
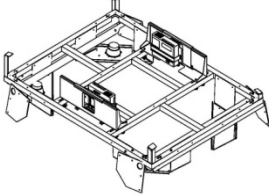

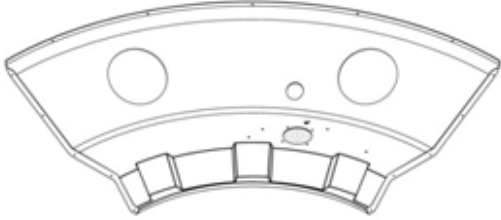
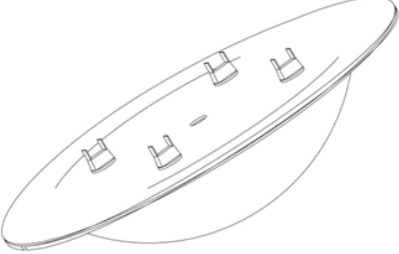

Stomper

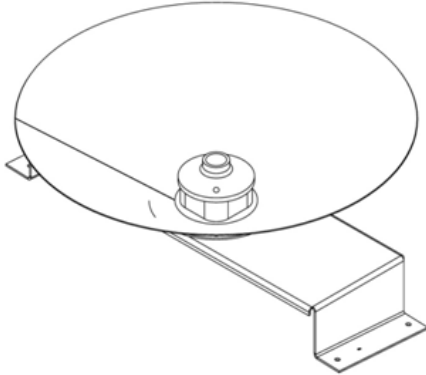
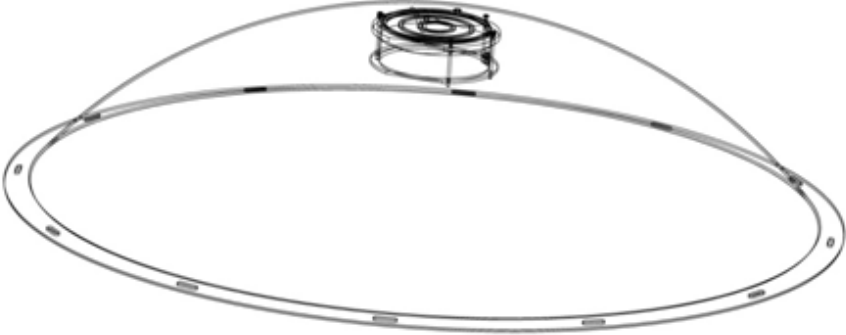
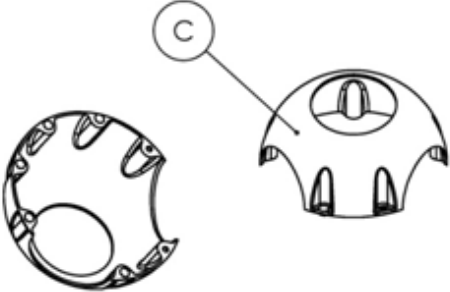
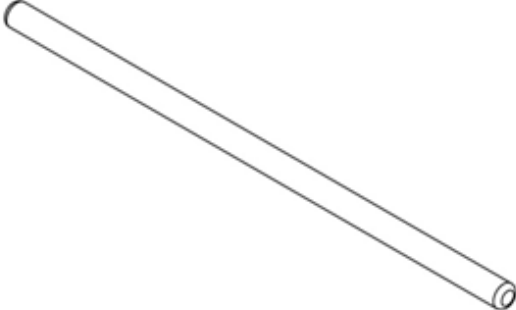
Table of contents

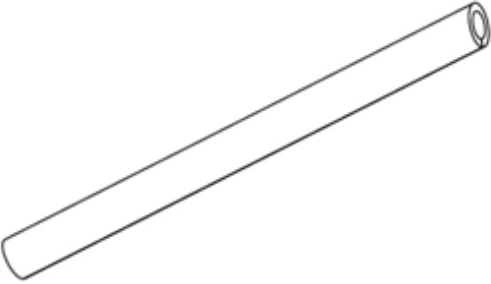
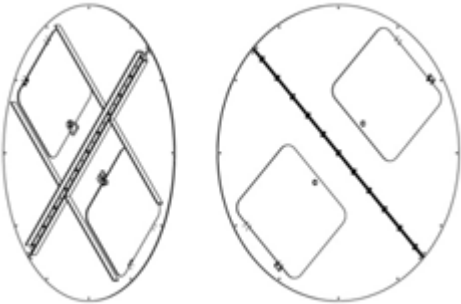
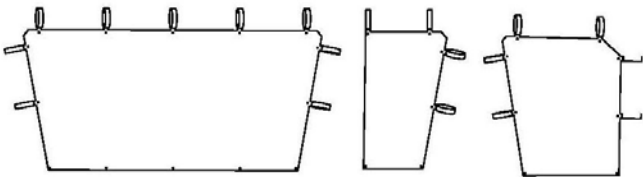
1. List of supplied parts for assembly.....	pg 3
2. List of supplied fasteners.....	pg 7
3. List of necessary tools for installation.....	pg 10
4. Space requirement.....	pg 12
5. Assembly instructions.....	pg 13
• Step 1 Preparing the bottom frame.....	pg 13
• Step 2 Installing the checker plate.....	pg 18
• Step 3 Preparing the top frame.....	pg 21
• Step 4 Installing the top frame on the bottom frame....	pg33
• Step 5 Completing the set-up.....	pg34
• Step 6 Install the protection net sheets.....	pg 36
6. Adjusting the projectors.....	pg 38
7. Service parts list.....	pg 40
• Cabinet/ electric components.....	pg 40
• Stickers.....	pg 41
• Top frame.....	pg42
• Bottom frame.....	pg44
• Vinyl kit.....	pg45
• Net kit.....	pg46

1. List of supplied assembly parts


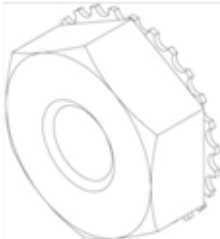
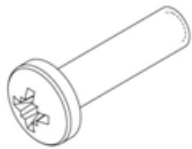

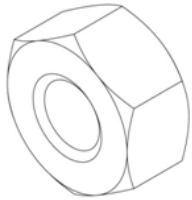
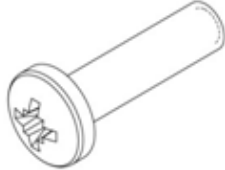
No.	Item	Description	Photo/ Image	Qty.
1	A	Bottom frame		1
2	B	Leg (* two other already hitch together with the "Bottom frame")		2(*)
3	D2	Crosspiece 2		2
4	D3	Crosspiece 1		1
5	D1, D4	Leg 2/ Crosspiece 3 (Left and Right)		1L & 1R
6	E1, E2, E3, E4, E5, E6, E7, E8	Checker plate		1 each




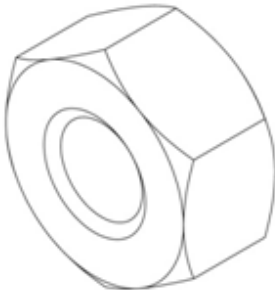
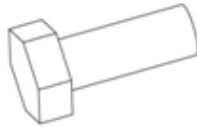


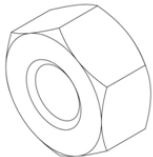
No.	Item	Description	Photo/ Image	Qty.
7	F1, F2	Checker plate brackets		F1(4x) F2(2x)
8	P1, P2	Wood panels		1 each
9	R	Top frame		1
10	G1, G2, G3, G4	Top leg (* hitch together with the "Top frame")		4 (*)
11	H1, H2, H3, H4	Bottom UFO Quarter		4
12	Q	Small Dome		8
13	J	Top UFO Quarter		4


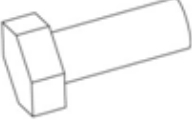
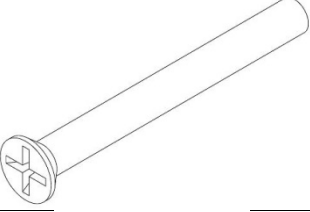





No.	Item	Description	Photo/ Image	Qty.
14	K	Lamp assembly		1
15	L	Large Dome assembly		1
16	C	Semi sphere		8
17		Handle		4

No.	Item	Description	Photo/ Image	Qty.
18	M1, M2, M3, M4, M5, M6	Foam tube (& vinyl)		4
	M5			2
	M6			2
19	N	UFO Bottom Panel		1
20	O1(2X) O2, O3, O4, O5	Safety nets		6

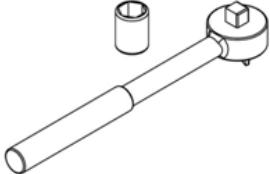
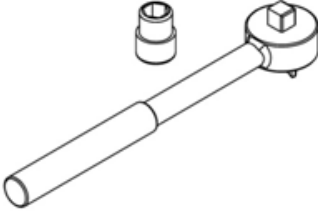
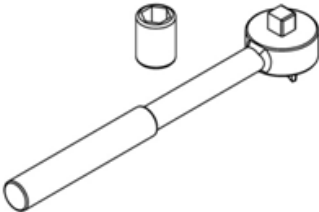
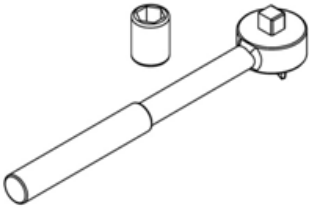



2. List of supplied fasteners



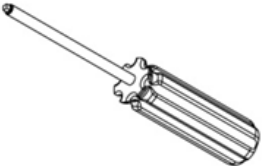
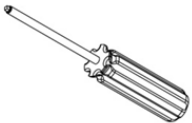


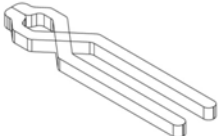
No.	IMAGE	DESCRIPTION	SIZE	QTY.	SPARE
1		FLAT WASHER	#10	44	11
2		HEX. LOCK NUT, (K-LOCK)	#10-24	52	18
3		PAN HEAD QUADREX DRIVE	#10-24 x 3/4"	161	22
4		LOCK WASHER	1/4"	46	2
5		FLAT WASHER	1/4"	12	3
6		HEX.NUT.	1/4"-20	42	
3		PAN HEAD QUADREX DRIVE	1/4-20 x 1/2"	38	

No.	IMAGE	DESCRIPTION	SIZE	QTY.	SPARE
7		HEX. MACHINE SCREW	1/4"-20 x 3"	4	1
8		SOCKET BUTTON HEAD CAP SCREW	1/4"-20 x 3/4	4	1
9		FLAT WASHER	3/8"	8	2
10		HEX. NUT	3/8"-16	8	2
11		HEX. MACHINE SCREW	3/8"-16 x 1"	8	2
12		FLAT WASHER	5/16"	48	8
13		LOCK WASHER	5/16"	36	4
14		HEX.NUT.	5/16"-18	16	4

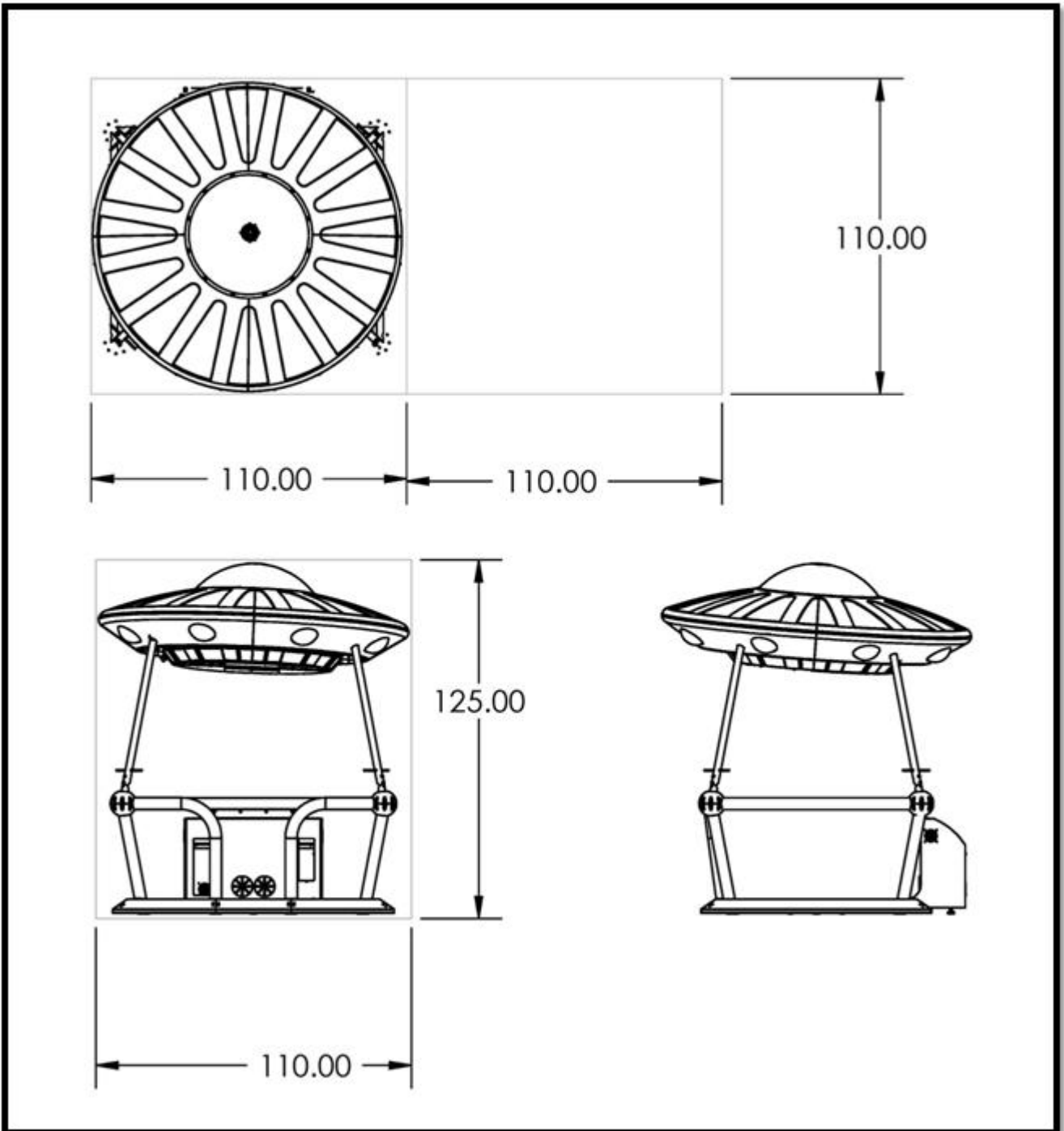
No.	IMAGE	DESCRIPTION	SIZE	QTY.	SPARE
15		HEX.MACHINE SCREW	5/16"-18 x 3"	16	4
16		HEX. MACHINE SCREW	5/16"-18 x 1"	20	
17		FLAT HEAD SCREW	3/8"-16 X 3"	16	
18		FLAT WASHER	1/2 "	8	
19		LOCK WASHER	1/2 "	4	
20		HEX.NUT	1/2 "-13	4	
21		HEX.MACHINE SCREW	1/2 "-13 x 4"	4	
22		NYLON RATCHET RIVET, BLACK		56	56

List of the necessary tools

No.	Tools	Description /Image	Application
1	Forklift	Capacity over 1000 lb Appropriated long forks attached (~65")	Put the carrying package in the place
2	Ratchet 9/16"		Tight on t the two frame together (pg.29)
3	Ratchet 7/16"		Install the lamp assembly. (pg.26)
4	Ratchet 1/2"		Tight on the upper legs (item G1 to G4 in/on the top frame. (pg.18)
5	Ratchet 3/4" (2x)		Install Crosspieces (pg. 17)
6	Wrench 3/4"		Adjust the height of the frame and cabinet (pg.12 and 13)
7	Wrench 9/16"		Tight on the two frame together (pg.29)
8	Wrench 1/2"		Tight on the upper legs (item G1 to G4) in/on the top frame. (pg.18)

No.	Tools	Description /Image	Application
9	Wrench 7/16"		<p>Install the lamp assembly. (pg.26)</p> <p>Install the protection net sheets (pg. 36)</p>
10	Wrench 3/8"		<p>Install the bottom UFO Quarter (pg.20) on the frame</p> <p>Attach the bottom UFO Quarters together. (pg.21)</p> <p>Attach the top and bottom quarters together. (pg.24)</p> <p>Attach the top UFO Quarters together. (pg.24)</p>
11	Screwdriver no.2 (square) (Screw #10)		<p>Install checker plate (pg.15)</p> <p>Install the bottom UFO Quarter (pg.20) on the frame</p> <p>Attach the bottom UFO Quarters together. (pg.21)</p> <p>Attach the top and bottom quarters together. (pg.24)</p> <p>Attach the top UFO Quarters together. (pg.24)</p> <p>Install the large dome. (pg.27)</p> <p>Install the UFO Bottom Panel. (pg.31)</p>
12	Screwdriver no.3 (square) (Screw 1/4)		<p>Install the protection net sheets (pg.36)</p>
13	Allen wrench 3/8" (Screw 3/8)		<p>Install the leg in the bottom frame (pg. 15)</p>
14	Allen wrench 5/32"		<p>Install the cabinet in place (pg.13)</p>
15	Pliers		<p>To attach the ratchet rivet on the spheres (pg.16)</p>

4. Space requirement:

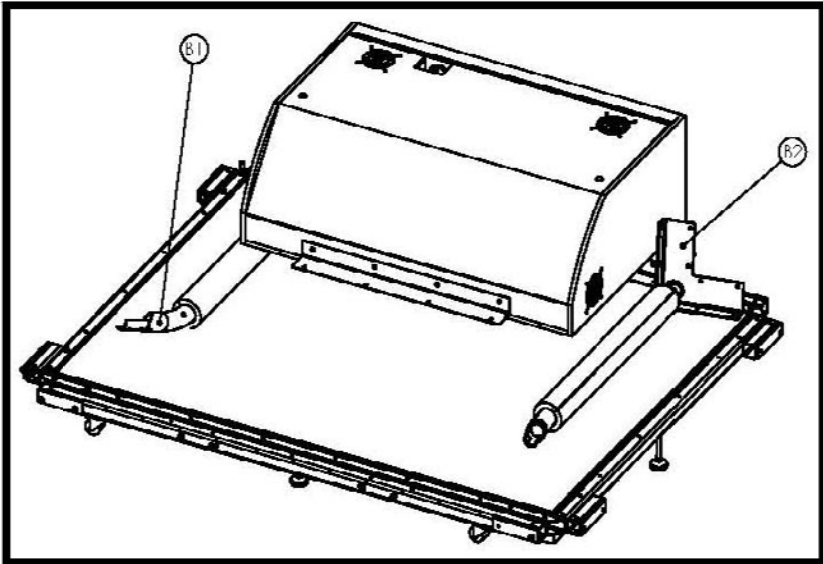


For installation, the required space is ~ 18.5' X 9.5'

When fully assembled, the required space will be ~ 9.5 X 9.5'

5. Assembly instruction

STEP 1 Preparing the bottom frame



Bottom frame from the package

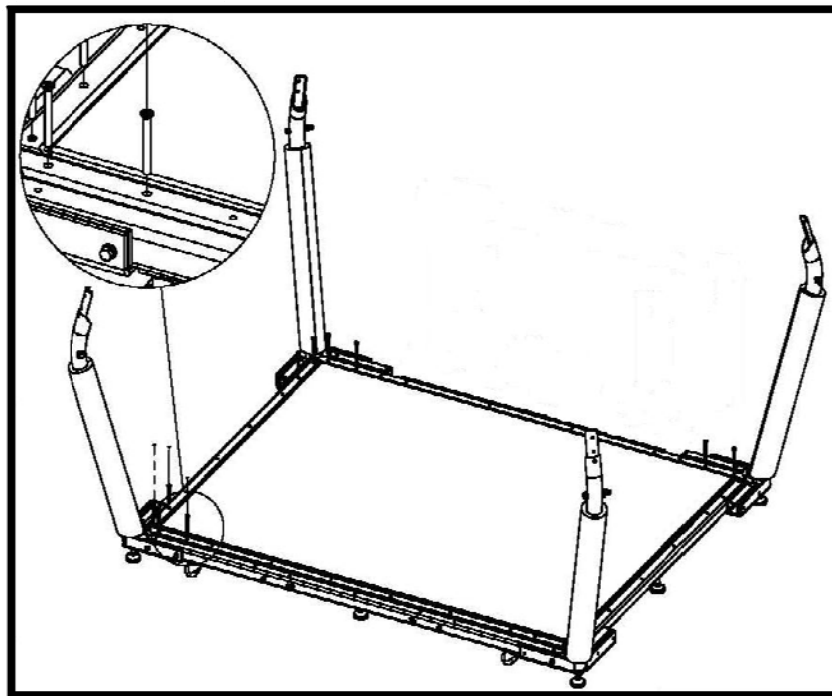
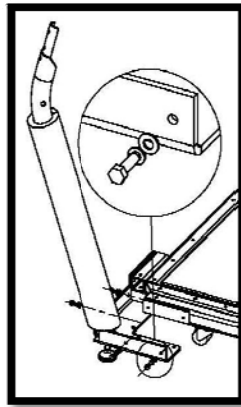
Position the frame at the desired location.

The frame has eight levelling feet. Adjust them so that they all rest on the floor equally

Tools	Fasteners Reference
Wrench 3/4"	Levelling feet

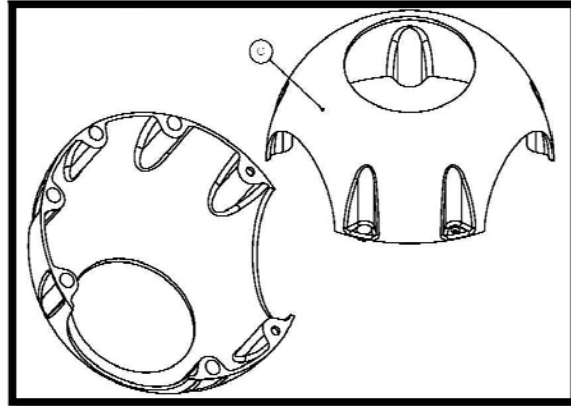
Installing the legs: **(Item B)**. Two of them already are in the appropriate corners – be careful not to damage the wires that pass inside.

Tools	Fasteners Reference
Ratchet 1/2"	Flat washer 5/16"(16X), lock washer 5/16(16X), Hex. Screw 5/16"-18 x 1"(16X)
Allen wrench	Flat head screw 3/8-16 x 3" (16)

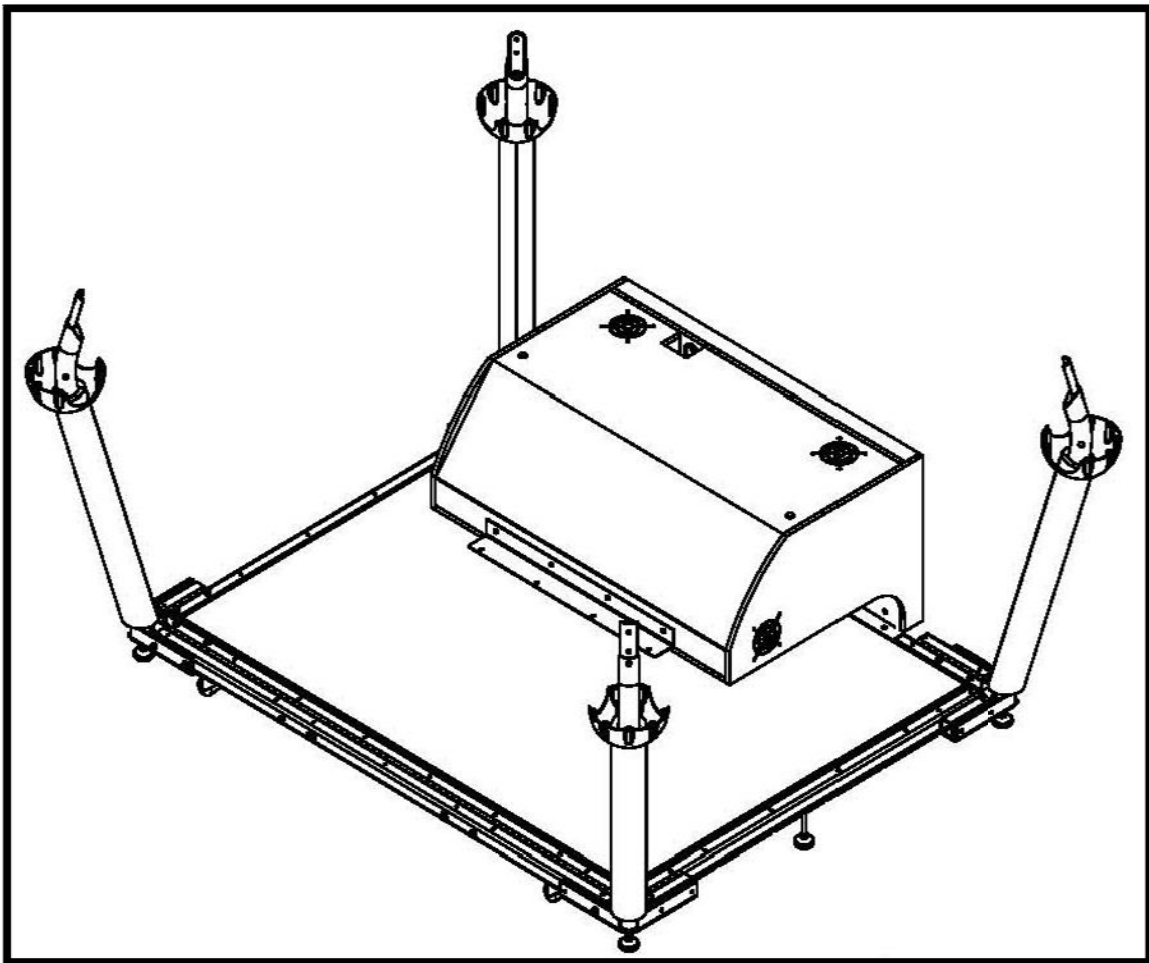


Be careful not to damage the wires of the legs B1 and B2.

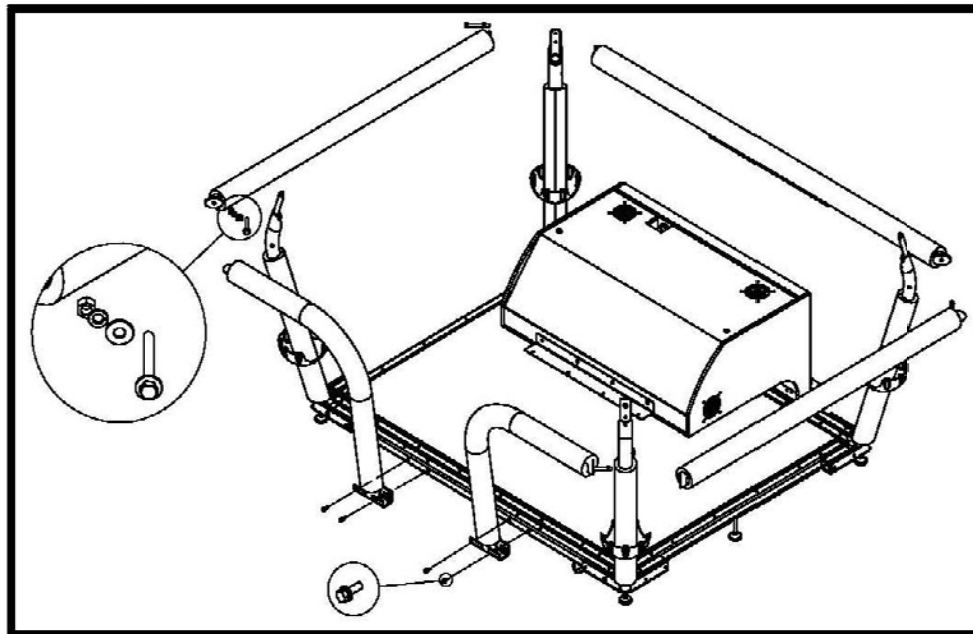
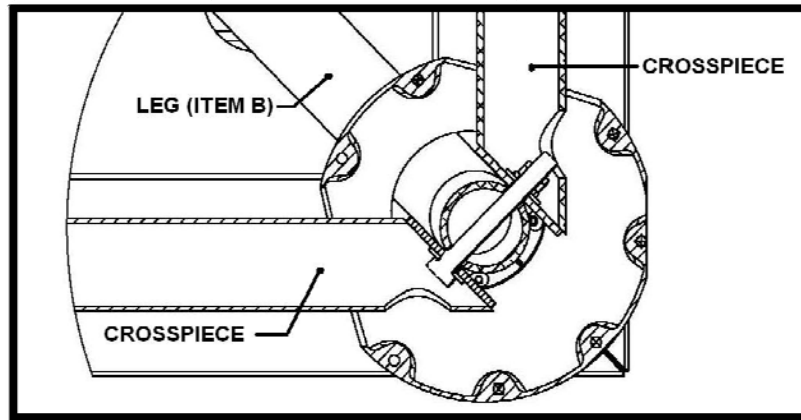
Locate item C: (a plastic semi-sphere) – You should have eight pieces.



Install four of them to the bottom frame assembly (one semi-sphere to each leg like in the picture).



Install the crosspieces at the end of the legs (item B). Make sure your installation looks like the following illustrations.

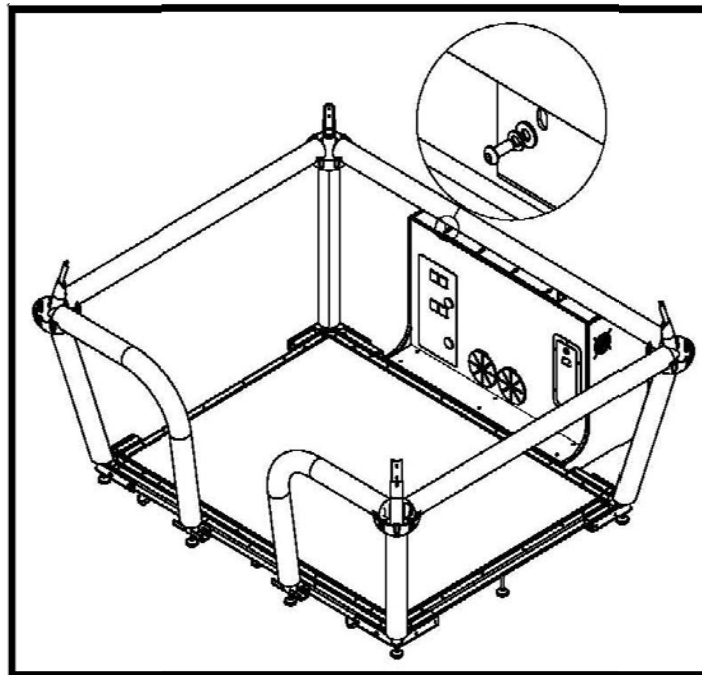
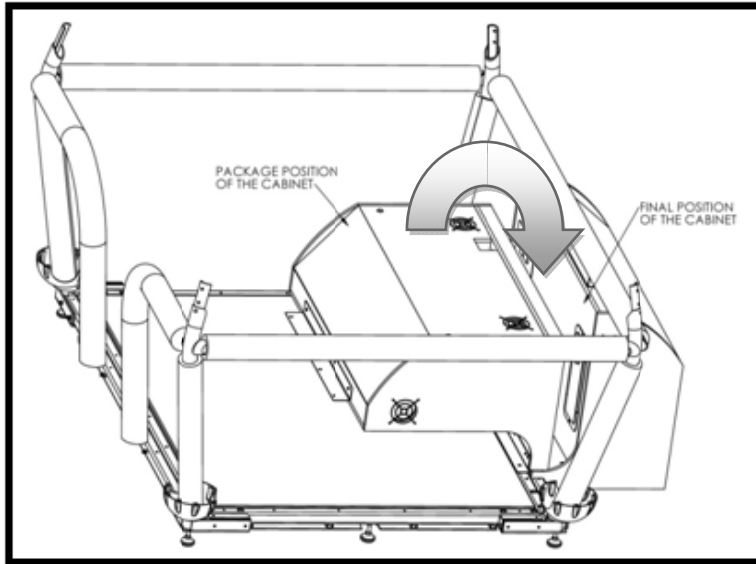


Tools	Fasteners Reference
Ratchet 1/2"	Flat washer 5/16"(4X), lock washer 5/16(4X), Hex.Screw 5/16"-18 x 1"(4X) (D1 and D2 on the frame)
Ratchet 3/4" (2x)	Flat washer 1/2"(8X), lock washer 1/2(4X), Hex.Screw 1/2 "-13 x 4"(4X)

First, push down the semi spheres to have more working space.

Lift the cabinet, adjust it's levelling feet and then screw it in place.

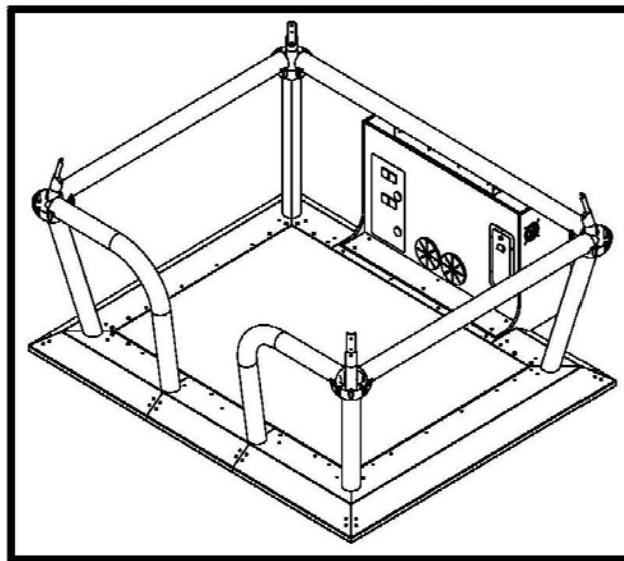
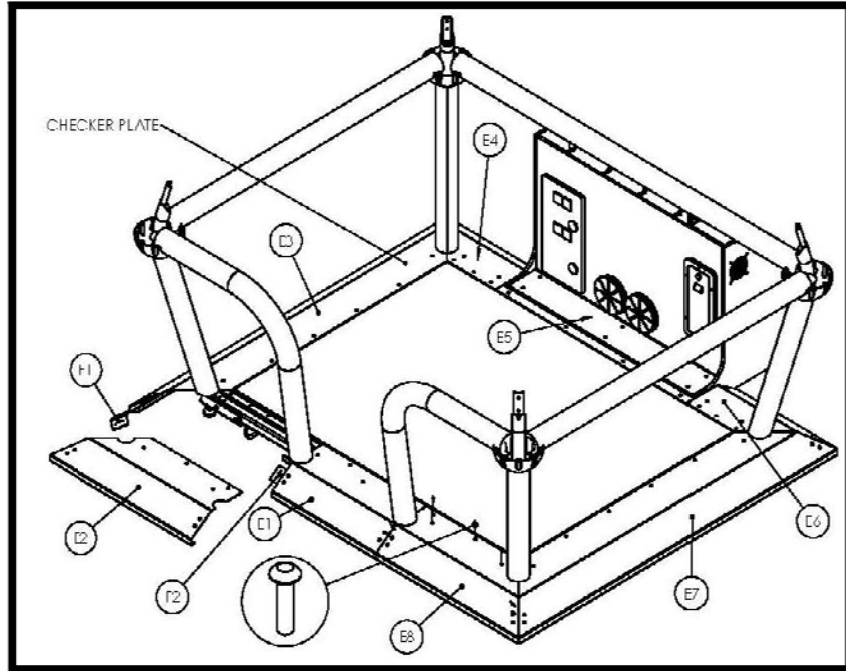
Tools Reference	Fasteners Reference
Wrench 3/4"	Levelling feet
Allen wrench 5/32"	Lock washer 1/4" (4X), Flat washer 1/4" (4X), Socket button head cap screw 1/4"-20 x 3/4 (4X)



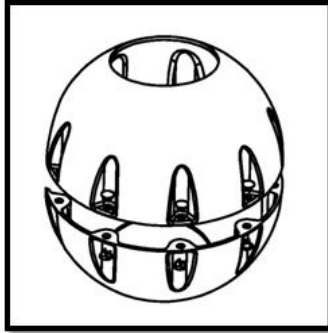
STEP 2 Install the checker plates

Install the checker plates as shown below.

Tools Reference	Fasteners Reference
Screwdriver (square #2)	Pan head quadrex drive screw #10-24 x 3/4" (61x)

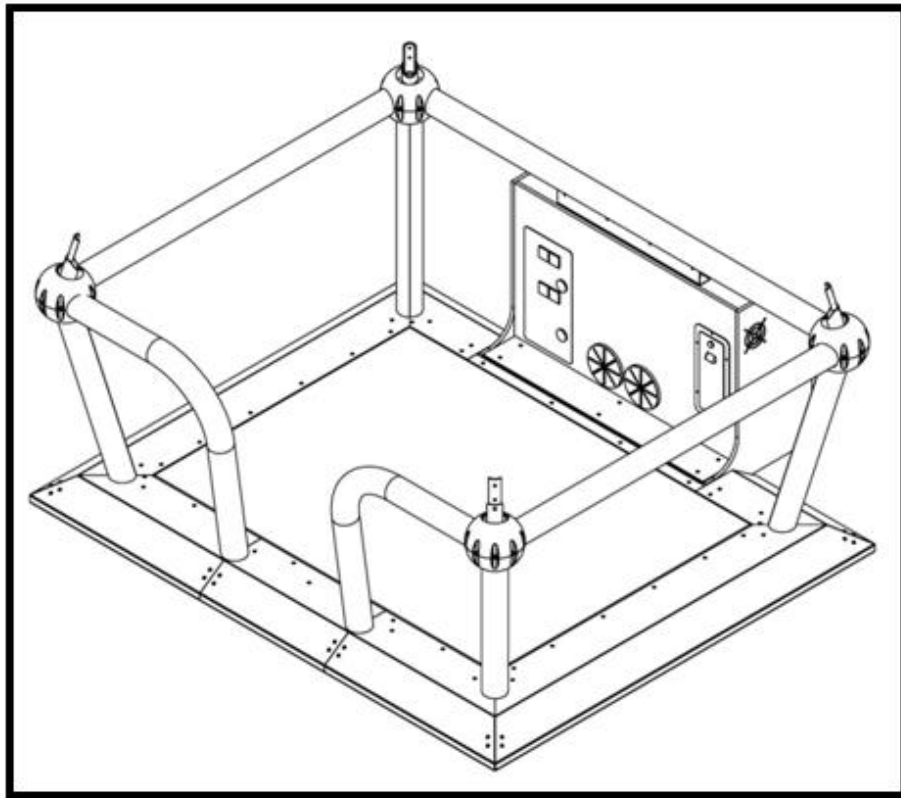


Locate the item C: (a plastic semi-sphere) – You should have four pieces left. Install them onto the semi sphere of the bottom legs.



You can now assemble the spheres. Use the Nylon ratchet rivets found in the package (14 for each sphere). Use pliers.

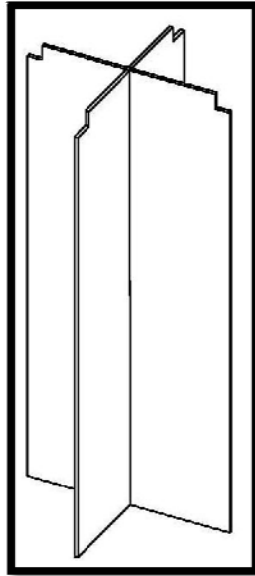
Tools Reference	Fasteners Reference
Pliers	Nylon ratchet rivet (56x)



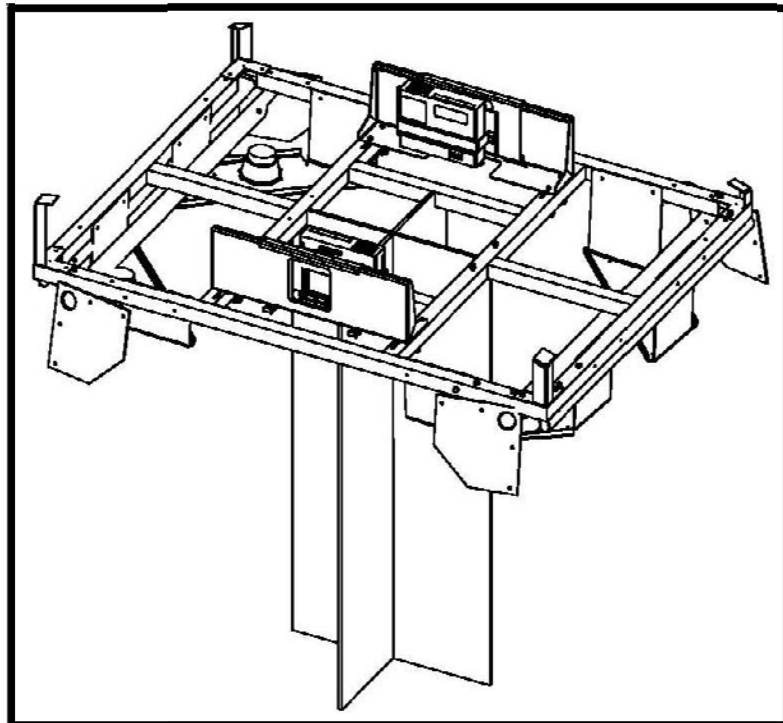
This is what the bottom frame should look like upon completion.

STEP 3 Assembling the top frame

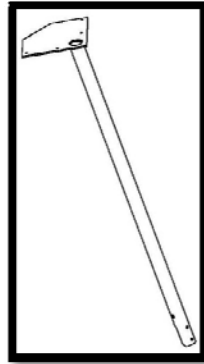
Assemble both wood panels as shown to make an assembly support for the top frame.



Mount the top frame onto the wood panel assembly.



Look of the four upper legs item G1, G2, G3 and G4 hitch together with the "Top frame".

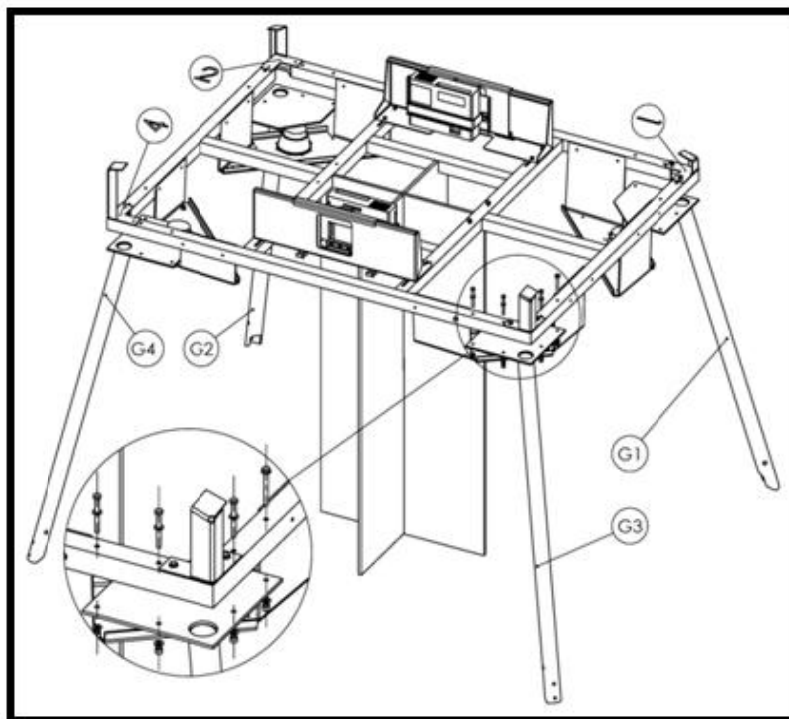


Two of them have electrical wires (corner 1 and 2). Be careful with the electrical wires when manipulating.

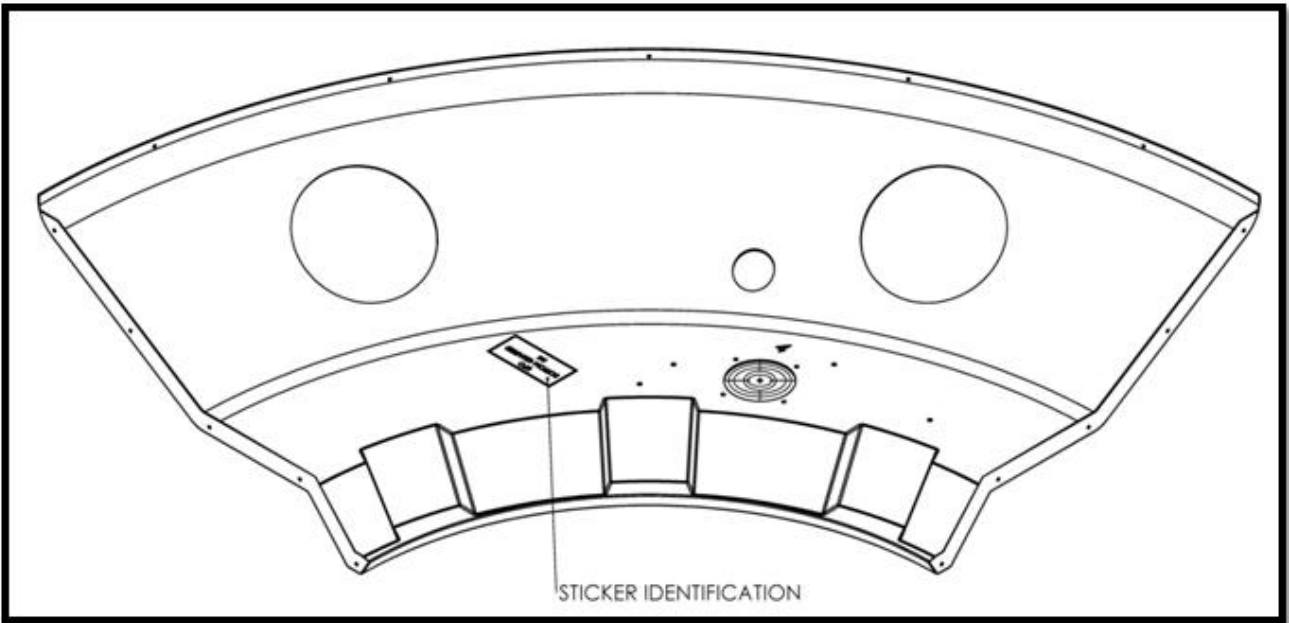
Each corner of the frame is marked with a number (from 1 to 4); identify them.

Install the four legs in the appropriate corners of the frame.

Tools Reference	Fasteners Reference
Ratchet $\frac{1}{2}$ " , wrench $\frac{1}{2}$ "	Flat washer $\frac{5}{16}$ "(32X), lock washer $\frac{5}{16}$ (16X), Hex. Screw $\frac{5}{16}$ "-18 x 3"(16X)



Unpack the lower quarters of the “UFO” (Items H1, H2, H3 and H4). Each has an identification sticker (labelled from 1 to 4).



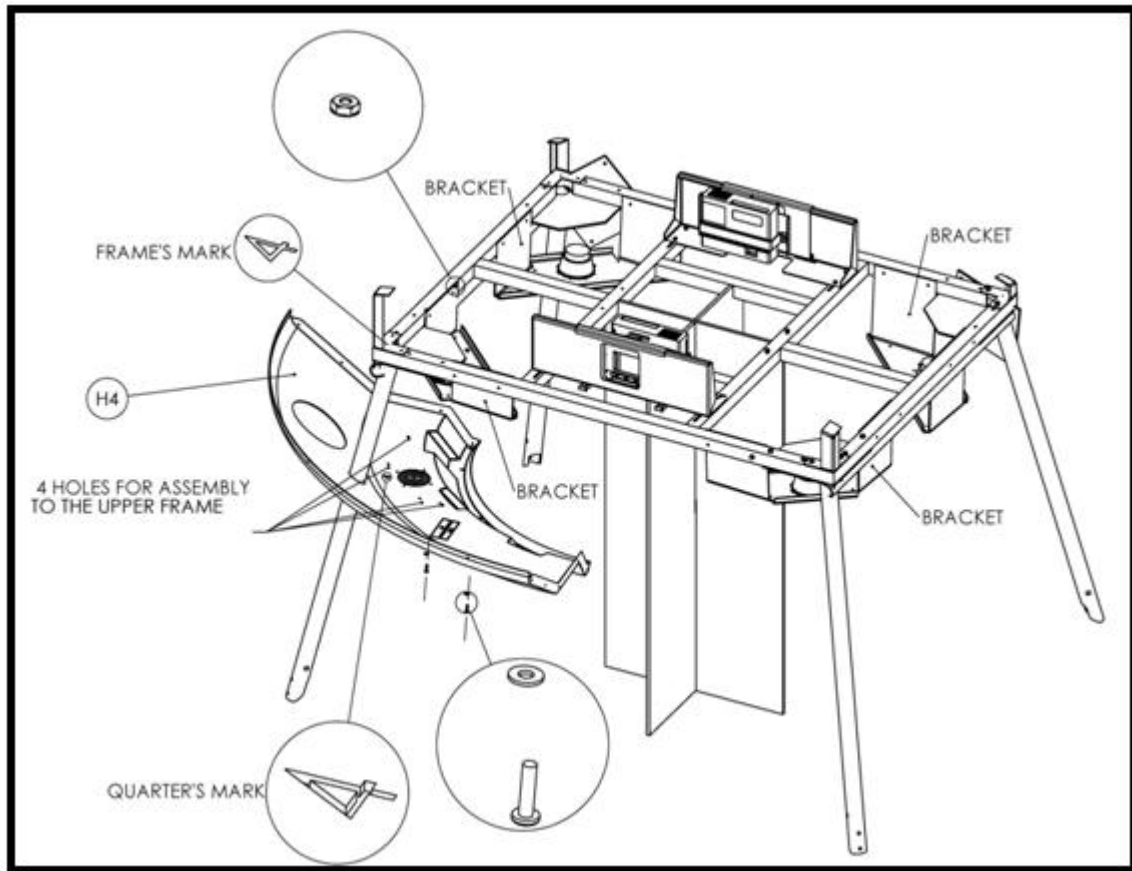
H4

Identify each quarter to put them in the appropriate corner.

Insert the leg into the UFO quarter and bolt to the bracket

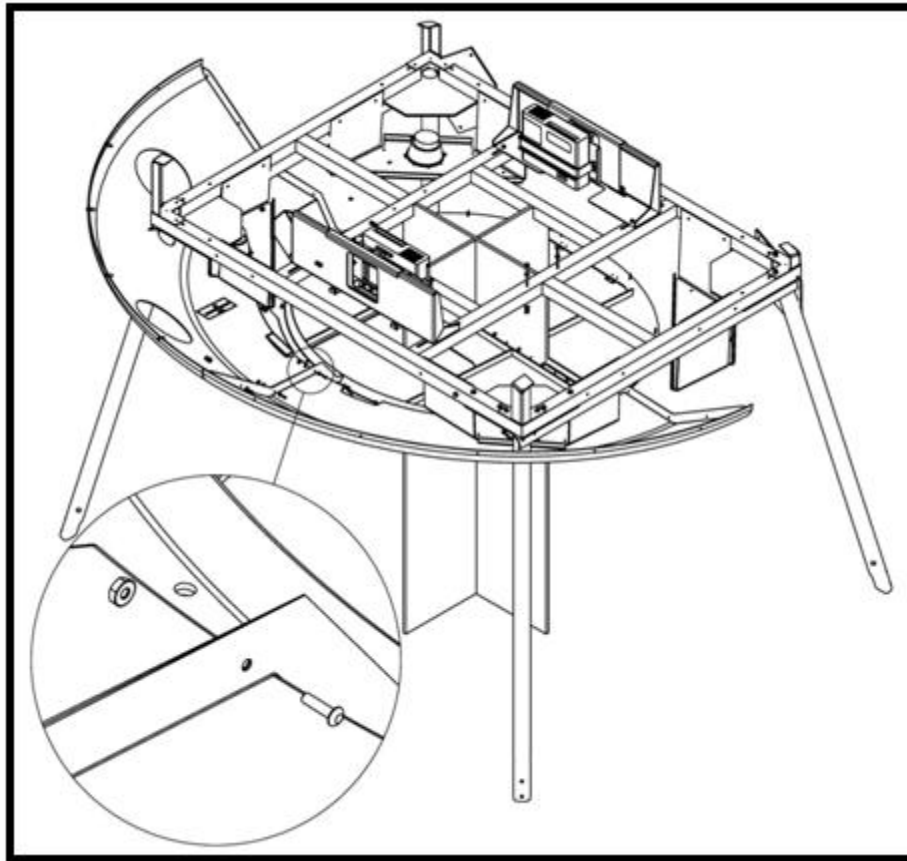
Tools Reference	Fasteners Reference
Screwdriver (square #2), Wrench 3/8"	Flat washer #10 (16X), K Lock nut #10(16X) Pan head quadrex drive #10-24 x 3/4(16X),

Do not tighten completely for now.

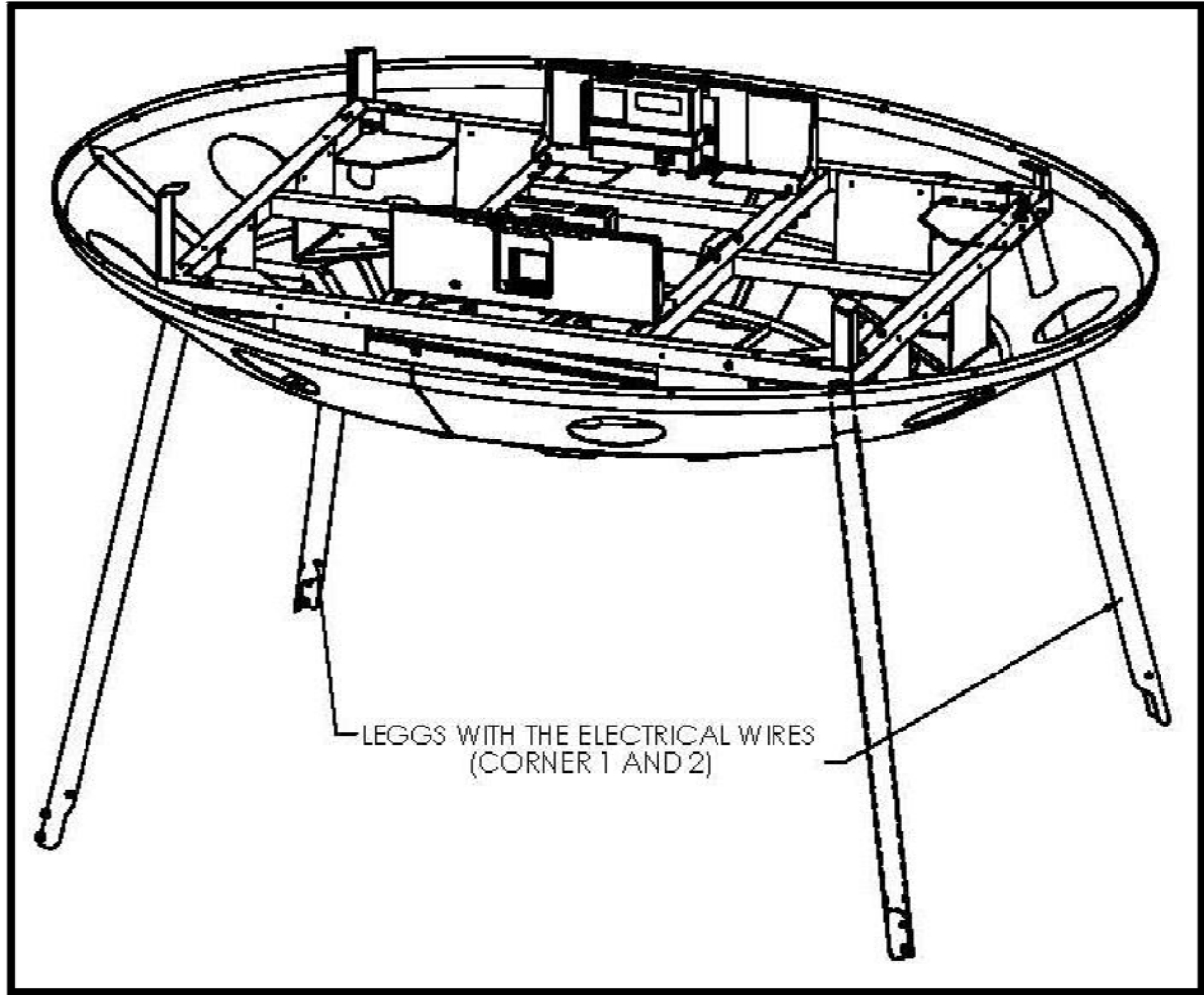


In the same way, install the nearest appropriate quarter. Bolt both quarters together with 5x #10-24 x 3/4 "bolts, flat washer and K Lock nut.

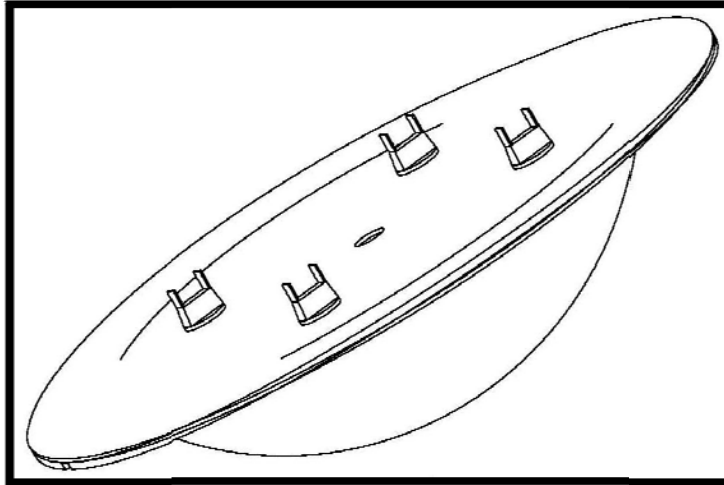
Tools Reference	Fasteners Reference
Screwdriver (square #2), Wrench 3/8	Pan head quadrex drive #10-24 x 3/4 "(20X), K Lock nut #10 (20X)



Repeat these steps for the other two quarters. Once completed, tighten everything.

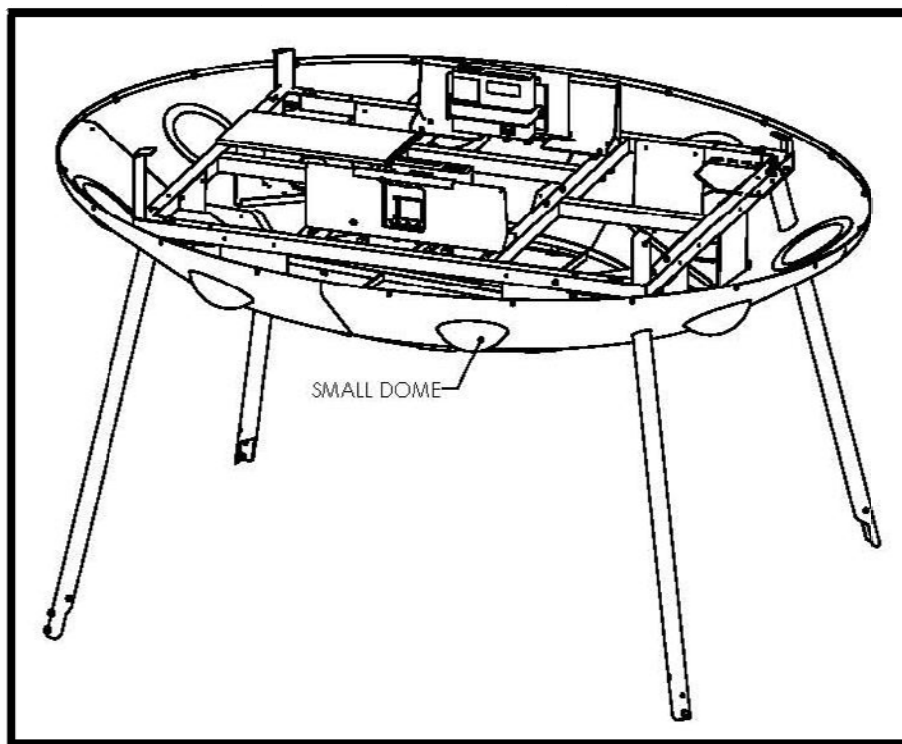


Remove the top frame assembly support. Be careful with the wires coming out of the specified tubes.

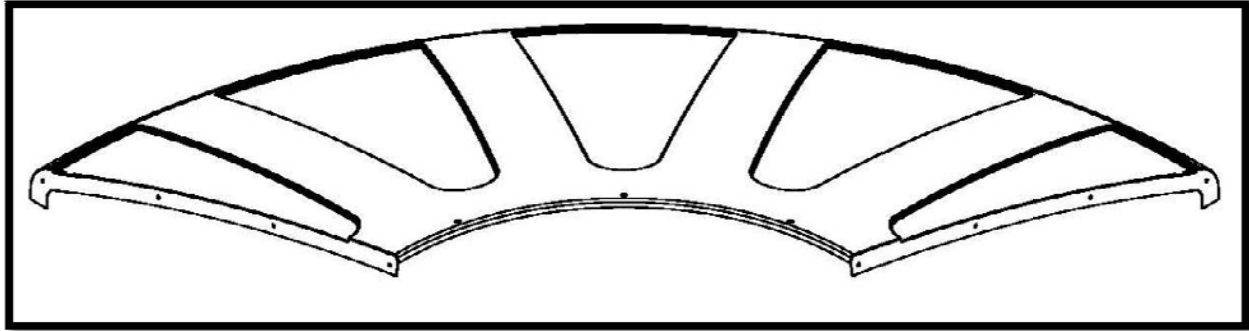


Item Q: Small domes

Install the small domes (Item Q – eight pieces) in the lower part of the “UFO”. (Hook and loop /Velcro)
Connect the bulbs (one connector for each dome).

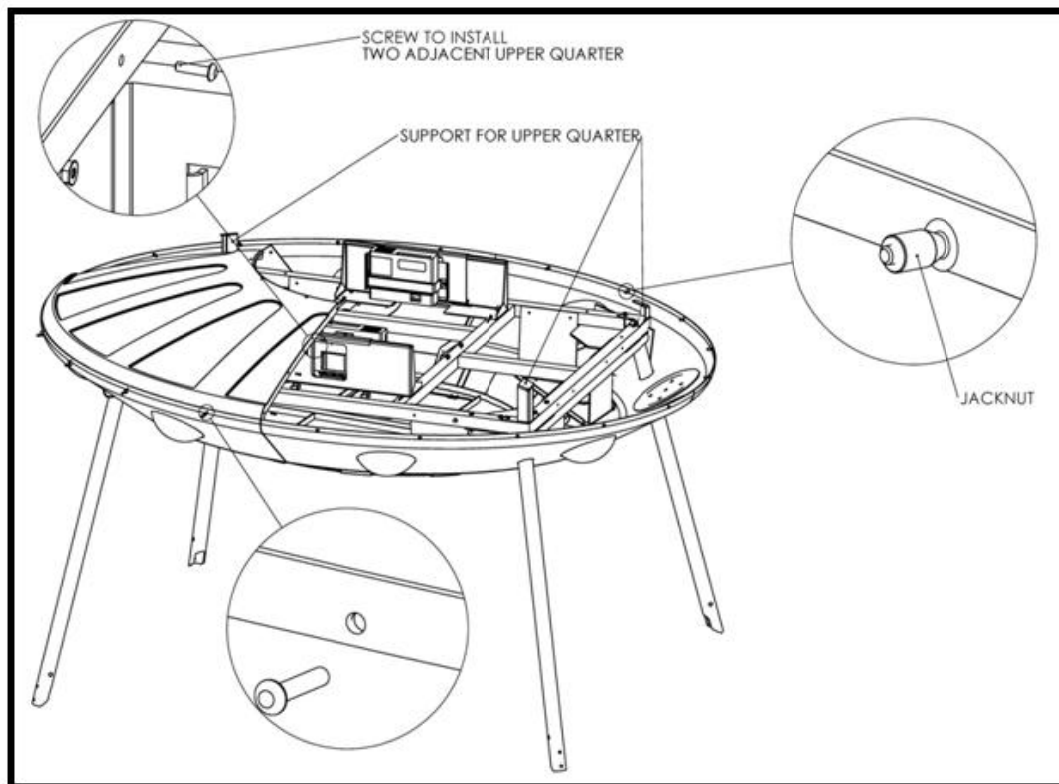


Unpack the upper quarters of the "UFO": Item J (Four identical pieces).



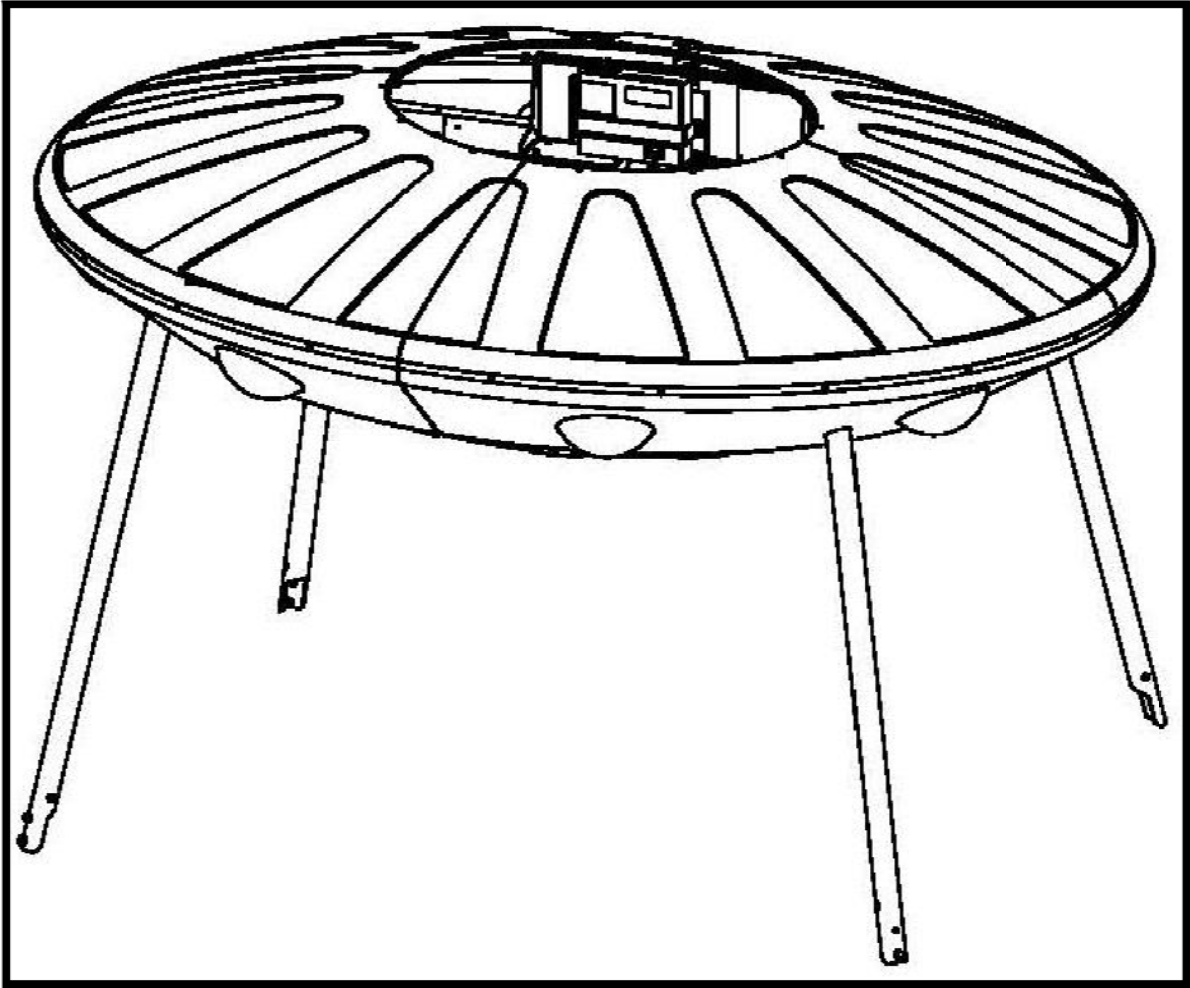
Item J

Bolt the first top quarter to the bottom quarter as shown in figure below. Do not tighten completely.

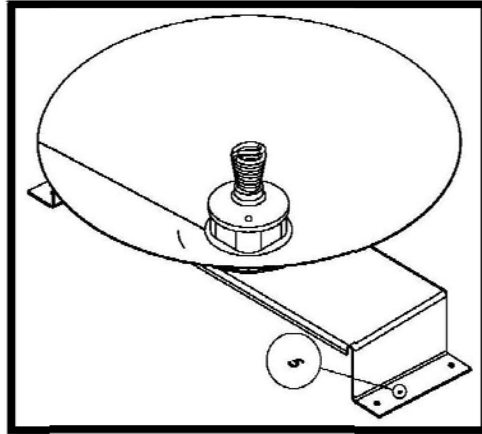


In the same way install the nearest quarter (remember not to tighten the top and lower parts together). Bolt both upper quarters together from inside. Repeat the steps for the other two quarters. Once the four quarters are installed tighten everything together.

Tools Reference	Fasteners Reference
Screwdriver (square #2)	Pan head quadrex drive #10-24 x 3/4" (20X)
Screwdriver (square #2), Wrench 3/8	Pan head quadrex drive #10-24 x 3/4" (16X), K Lock nut #10 (16X)



Find the lamp assembly: Item K. It has been marked with the number “5”.

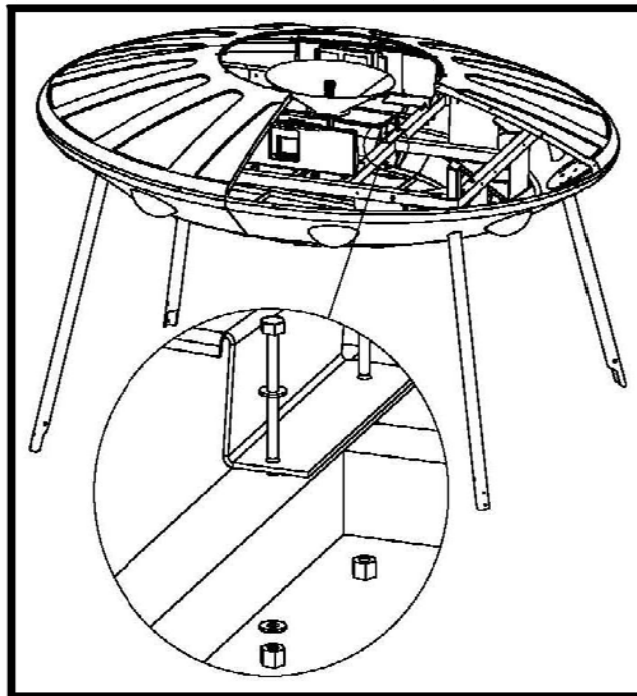


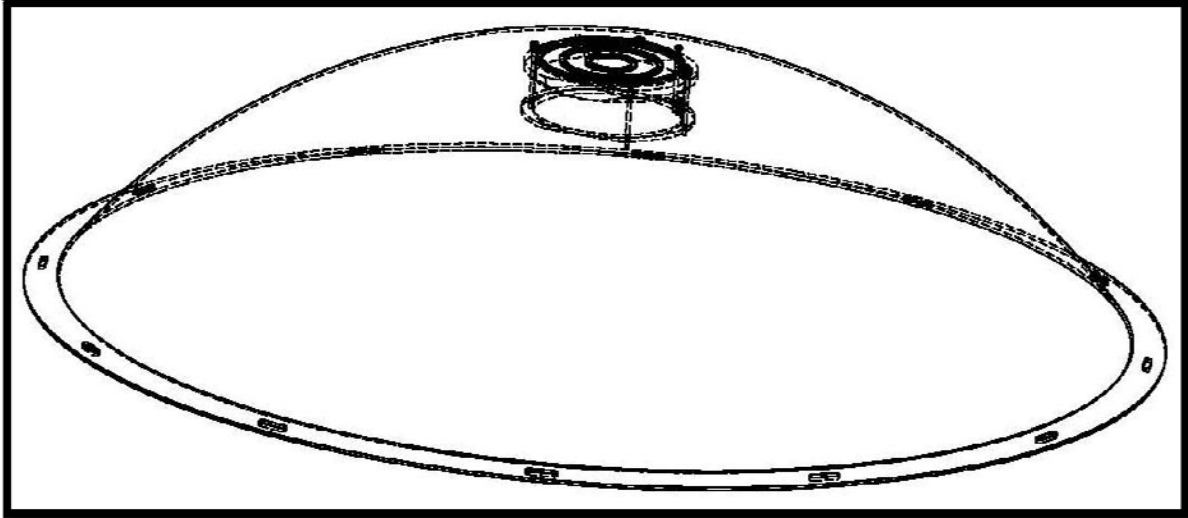
Item K

The frame has this mark too. Bolt the lamp assembly to the top frame where the same number (“5”) is located.

Tools Reference	Fasteners Reference
Wrench 7/16", Ratchet 7/16"	Hex. head screw 1/4"-20 x 3"(4X), Flat washer 1/4"(8X), lock washer 1/4" (4X), hex nut 1/4"(4X),

The following picture shows the position of the lamp. In this picture, one upper quarter was removed for illustration purpose. Connect the lamp's power connector.

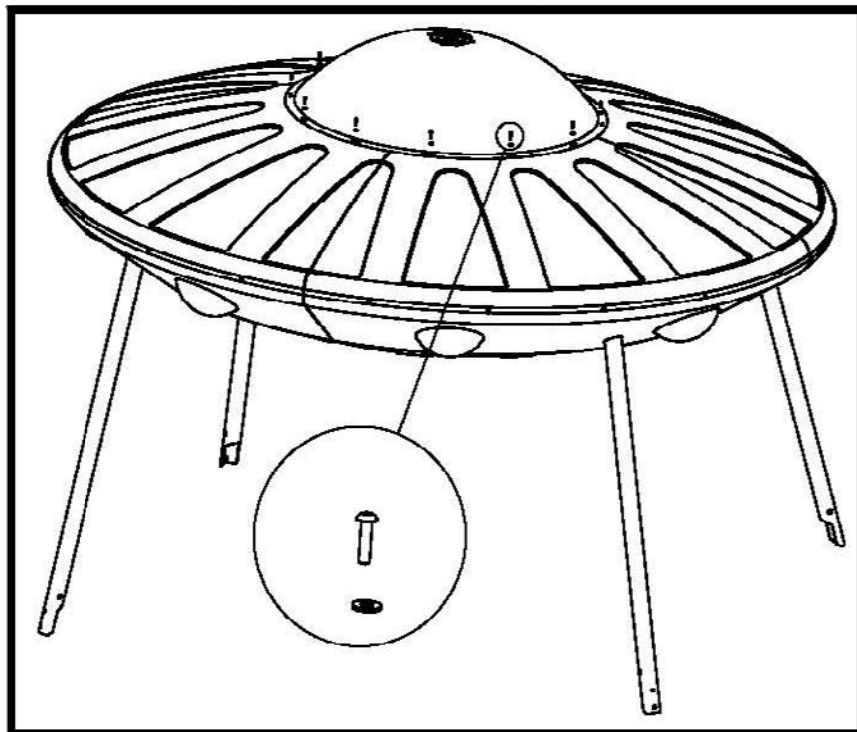




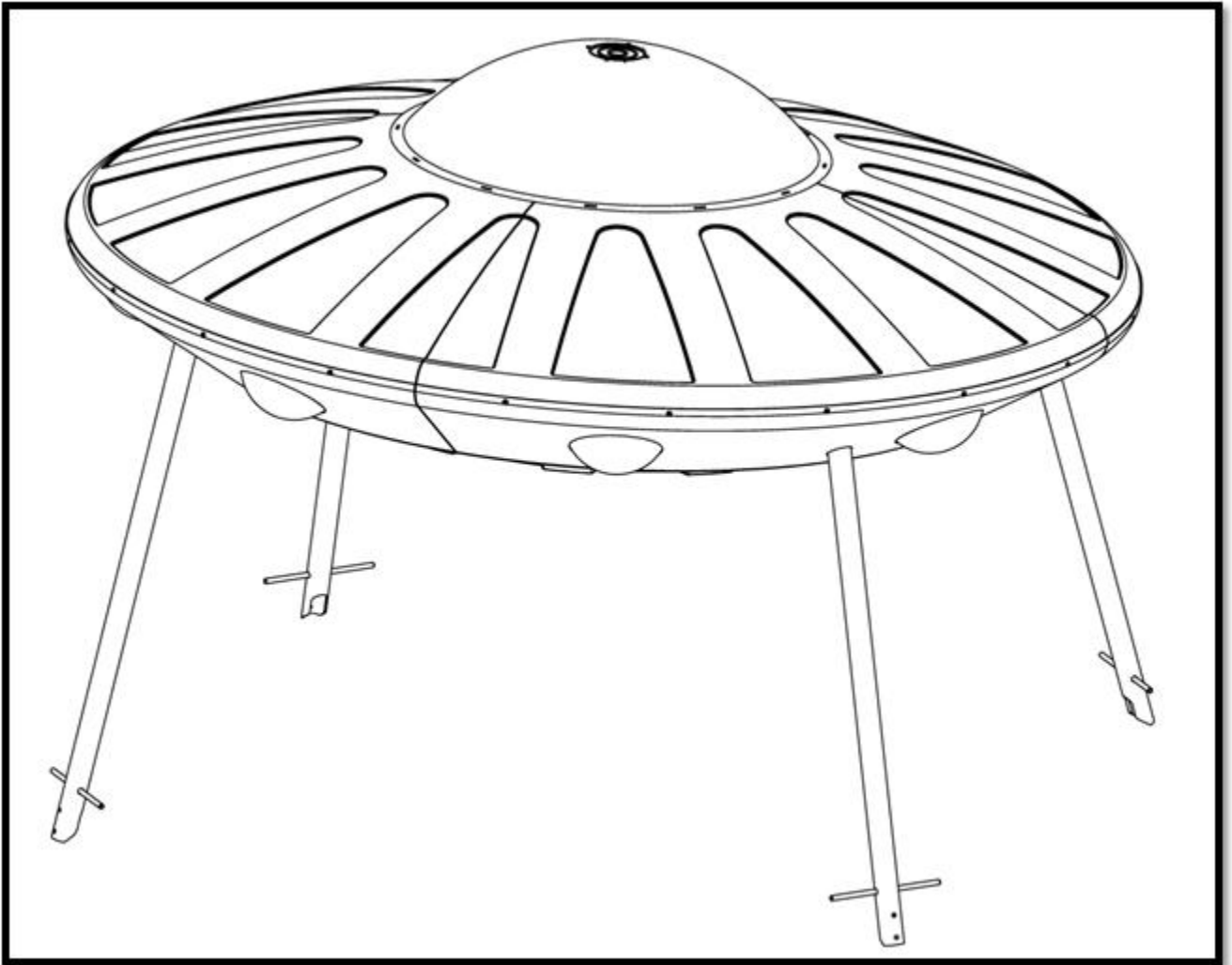
Item L: Large dome assembly

Install the large dome assembly on the "UFO" and connect the fan.

Tools Reference	Fasteners Reference
Screwdriver (square #2)	Pan head quadrex drive #10-24 x 3/4" (12X), flat washer (12X)



Insert the four handles (Item N) in the holes of the legs.

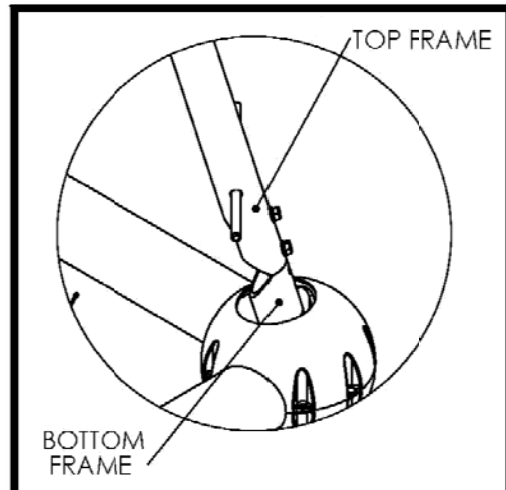
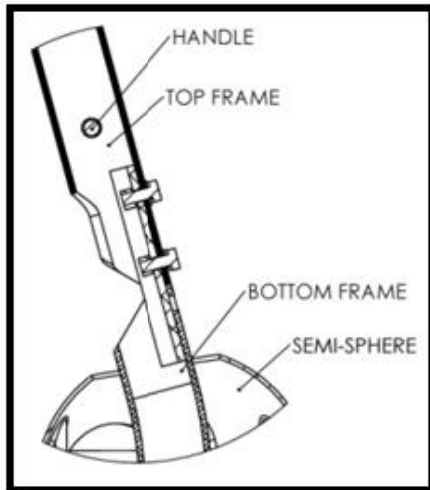
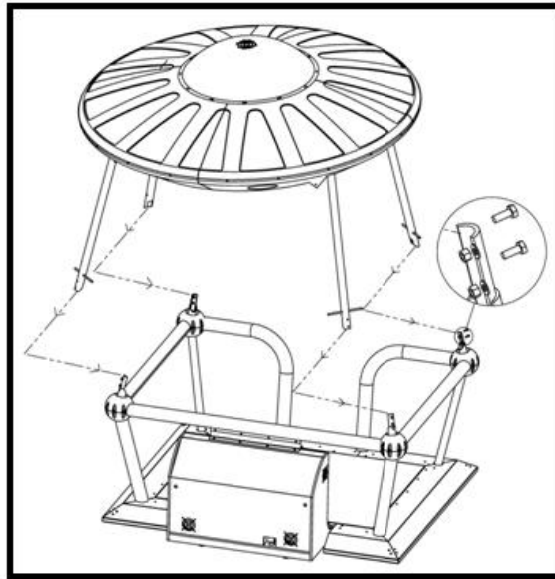


Congratulations: you have successfully assembled the upper frame.

Step 4 Install the top frame on the bottom frame

WARNING: For this operation you will need 4 people to lift the top frame assembly
 Approximate weight of the assembly: 200 lb

Position the Top frame in front of the bottom frame as shown in the picture below. Lift the top frame assembly using the handles. Use the following illustrations to help you position the top frame on the bottom frame.



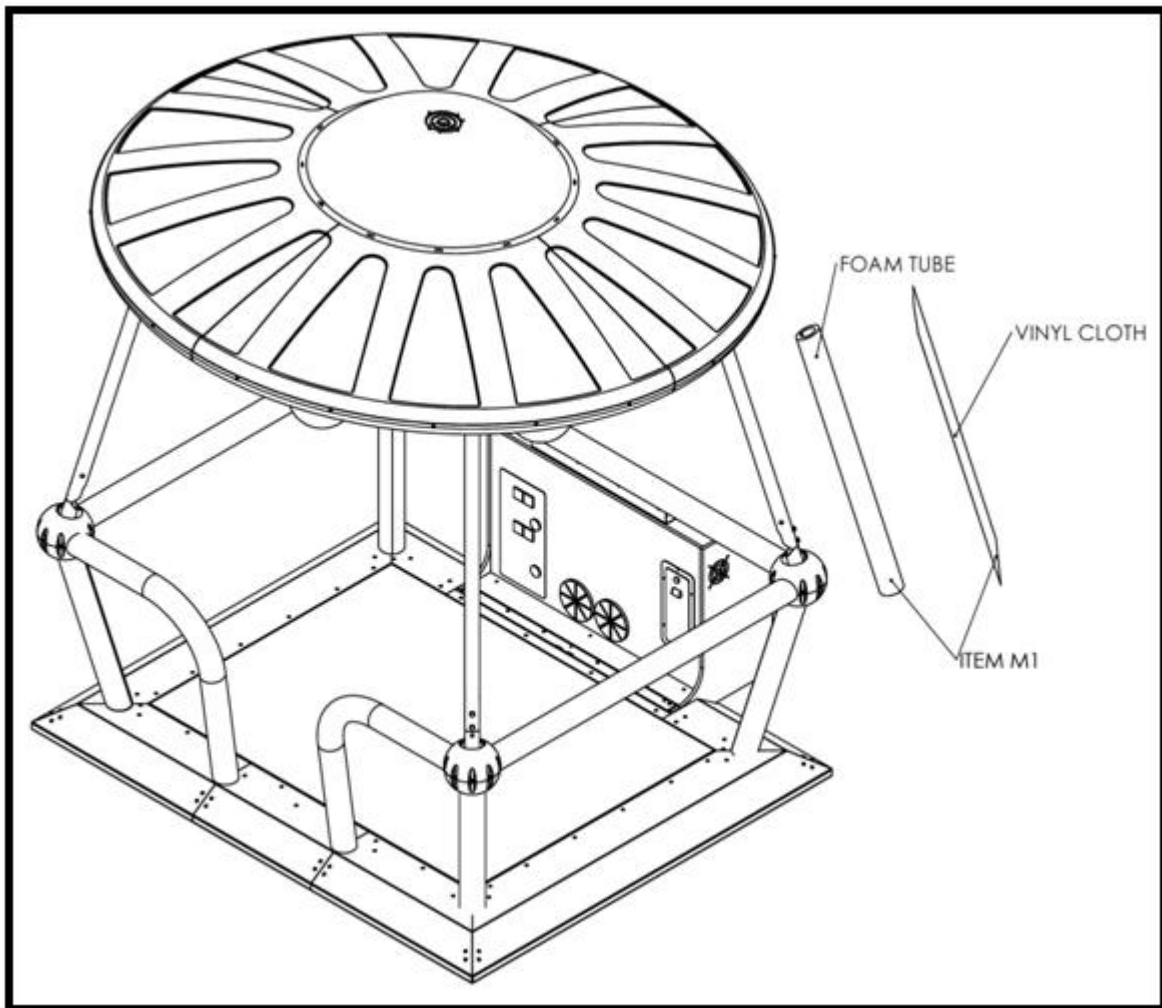
Tools Reference	Fasteners Reference
Ratchet 9/16", wrench 9/16	Hex nut 3/8" (8X), flat washer 3/8" (8X), Hex. head screw 3/8' x 1 (8X),

Step 5 Completing the set-up

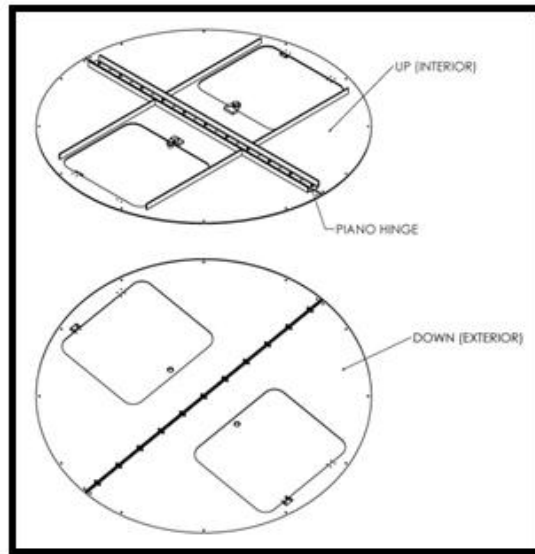
Unpack the four foam tubes (Item M1, M2, M3 and M4) covered with a zipped vinyl. (Each is of different length).

For each upper leg:

- Take off the vinyl from the corresponding M Item (shown below) and wrap the foam onto the leg. (The angle cut should be up)
- Reinstall the vinyl cover (match the end of the vinyl and foam towards the top) and push the bottom end of the foam into the semi sphere.

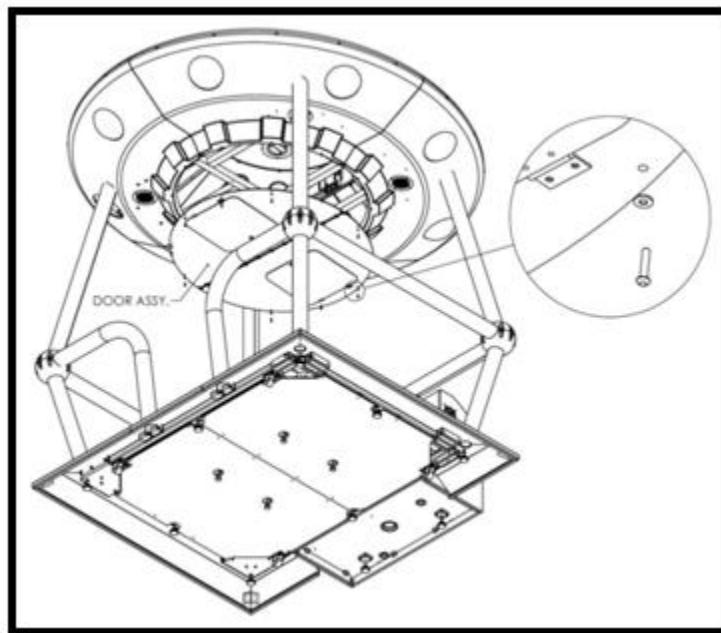


Find the UFO Bottom Panel (The connection between the parts is a piano hinge; it is a flexible assembly).

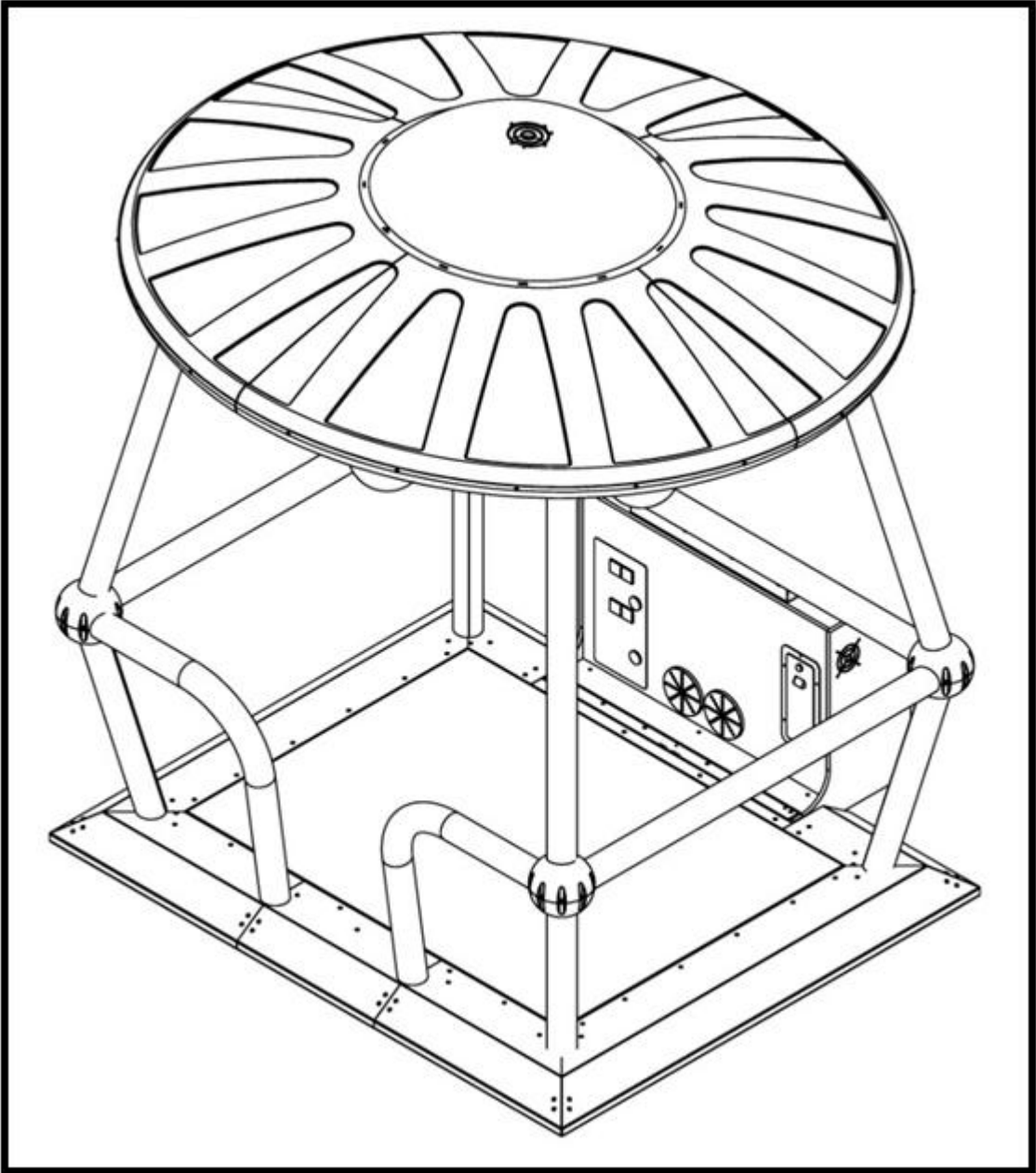


Install as shown in the illustration bellow.

Tools Reference	Fasteners Reference
Screwdriver (square #2)	Flat washer # 10 (16X), Pan head quadrex drive #10-24 x 3/4 "(16X)

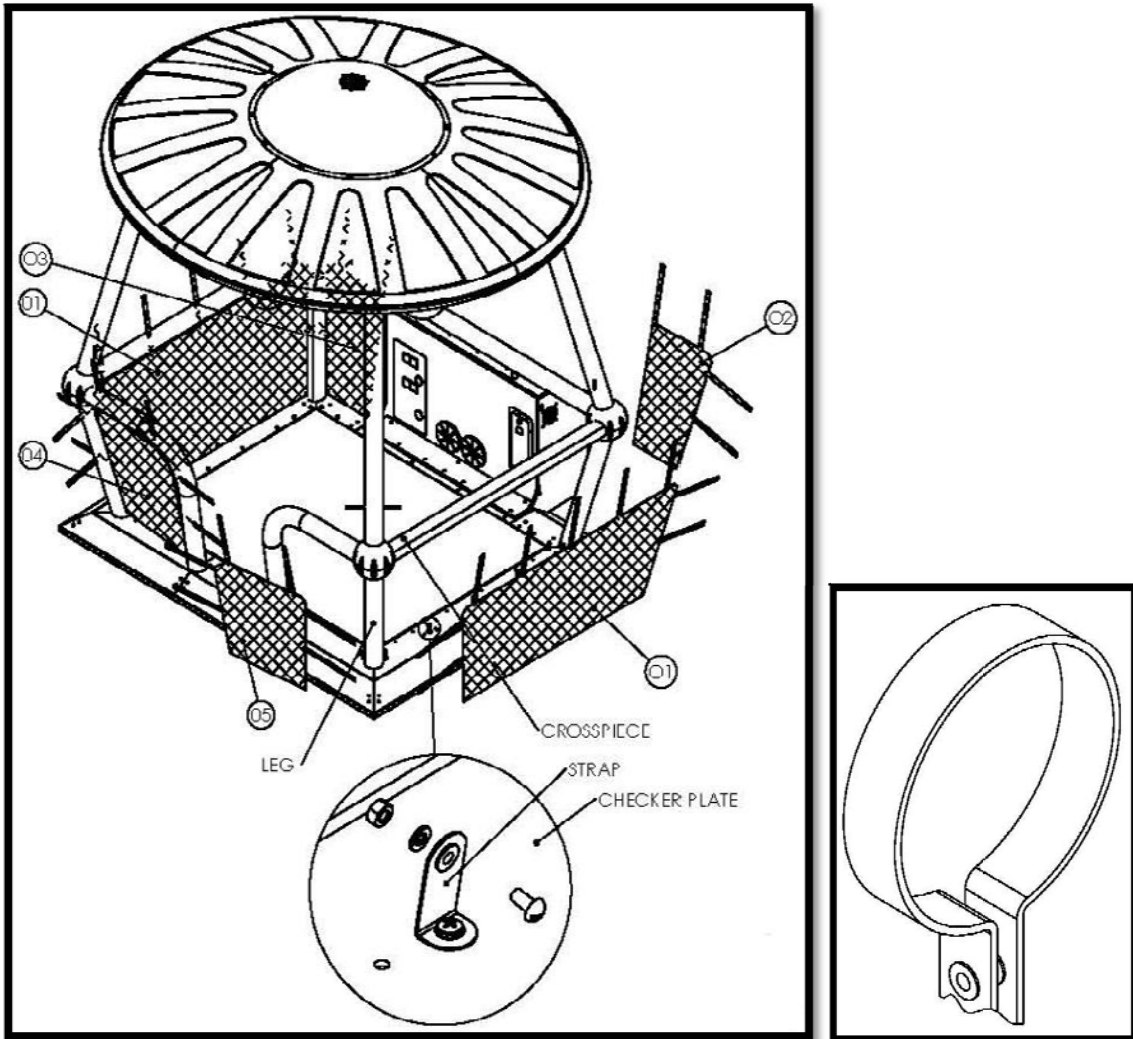


The following illustration shows the image of the assembled product.

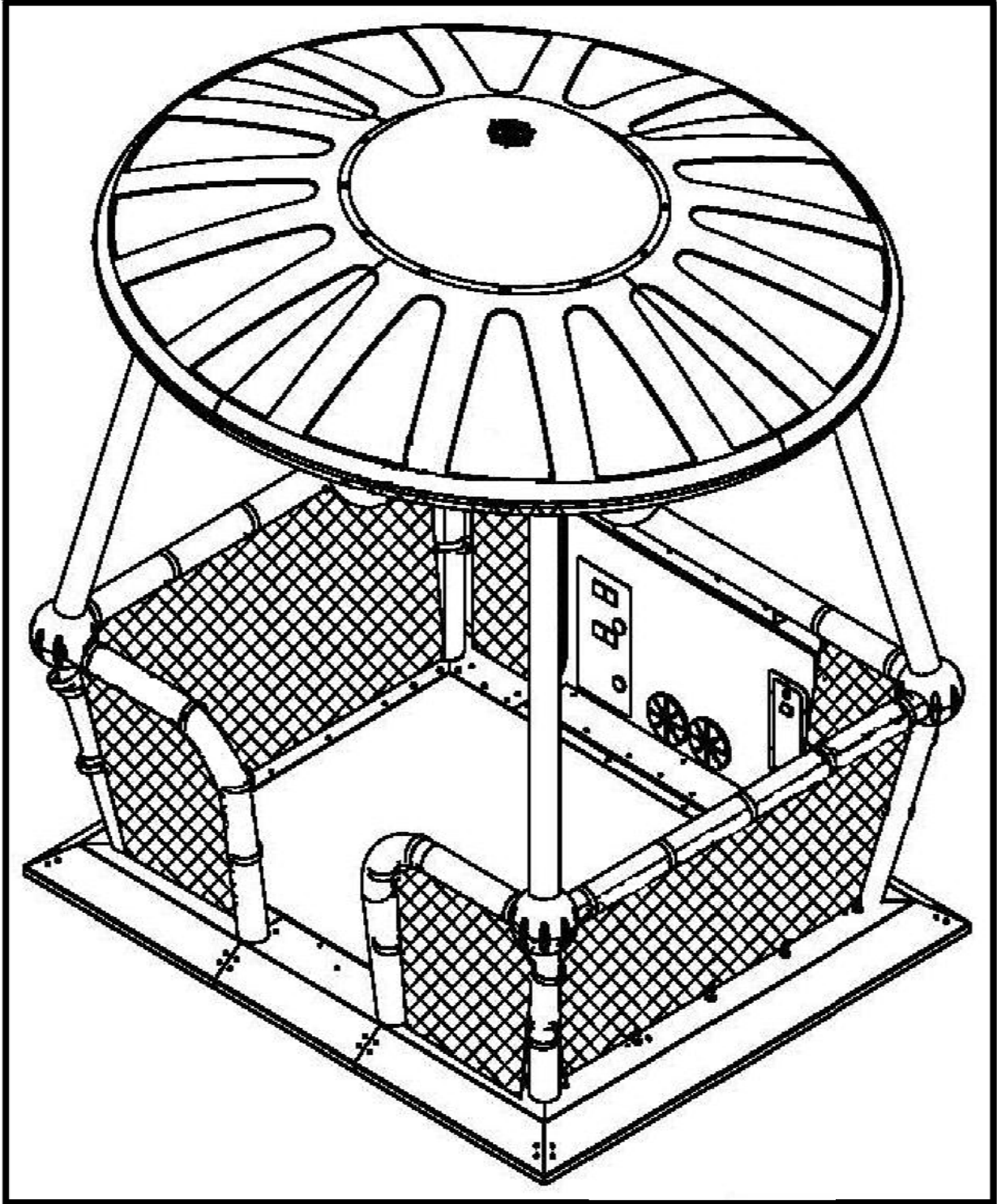


Step 6 Install the net around the frame

Tools Reference	Fasteners Reference
Screwdriver (square #3) Wrench 7/16	Pan head quadrex drive #1/4-20 x 0.5 "(38X), lock washer ¼ (38x), nut 1/4 "(38x).



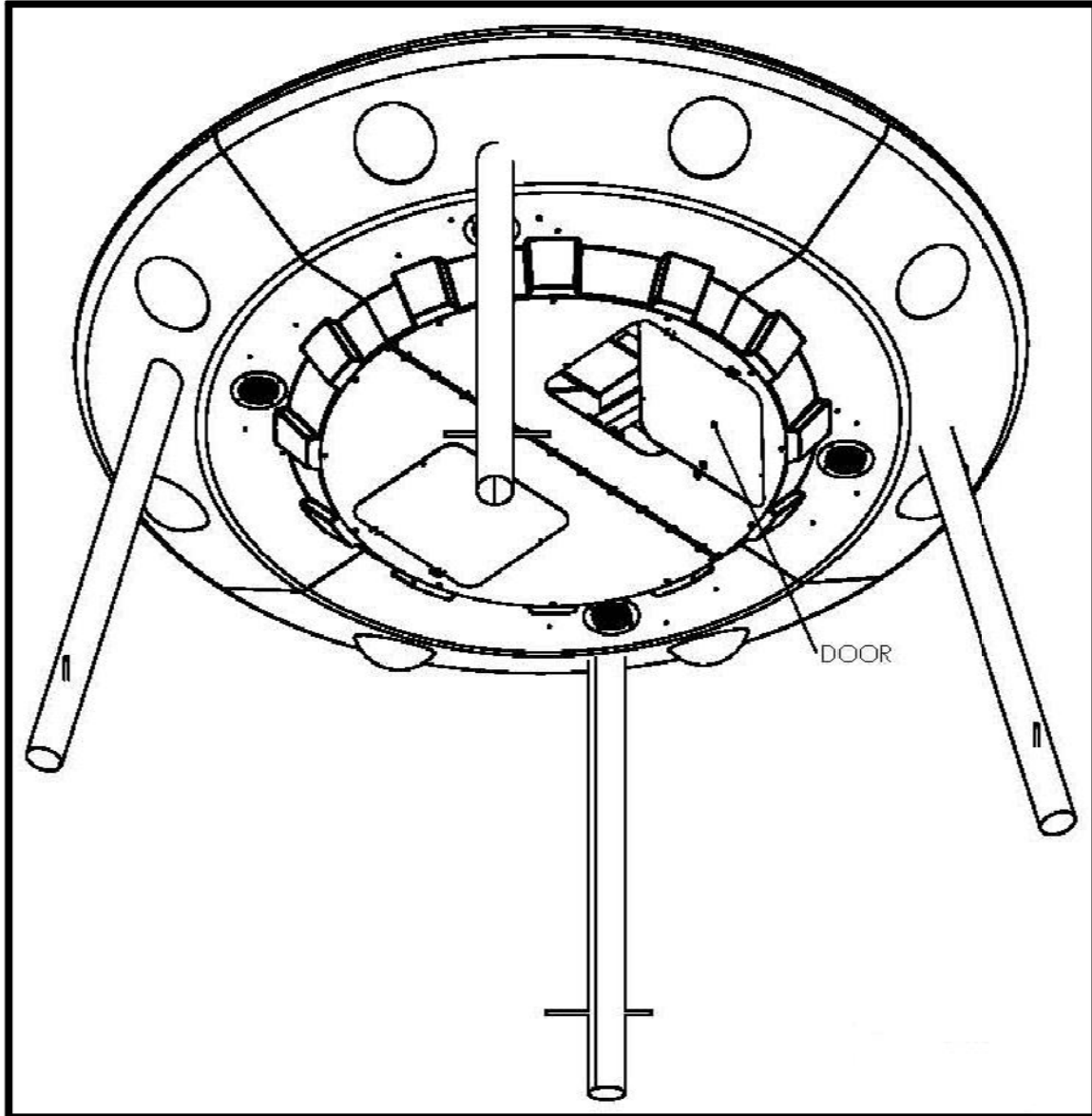
Take the safety nets (items O1 to O5). Install them on the bottom part of the frame. Put the long strap of the net around the crosspiece and around the appropriate legs. Stitch together with the screw ¼-20 x 1/2", the lock washer and nut. For the bottom side of the net, use the already installed strap located on the checker plate; use the same kind of screw.



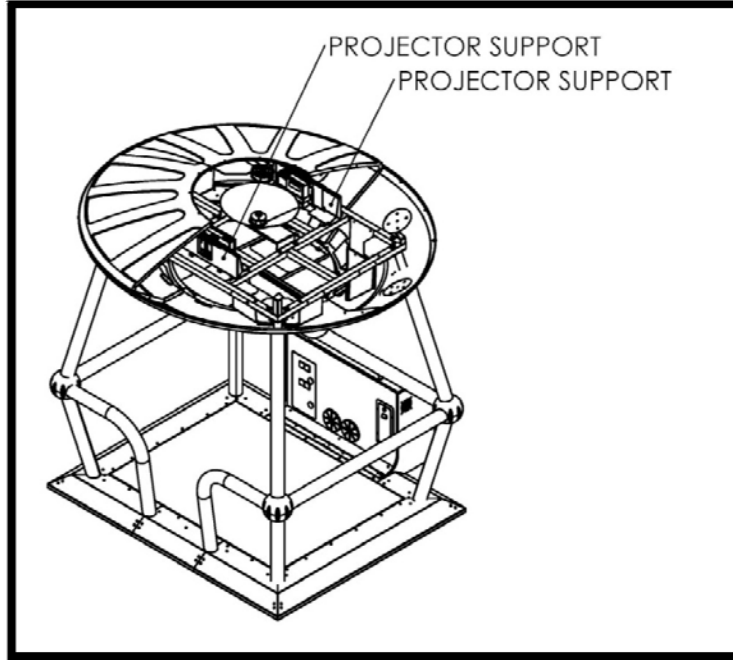
Connect the machine to a dedicated breaker (on its own circuit).

6. Projection adjusting (mechanical)

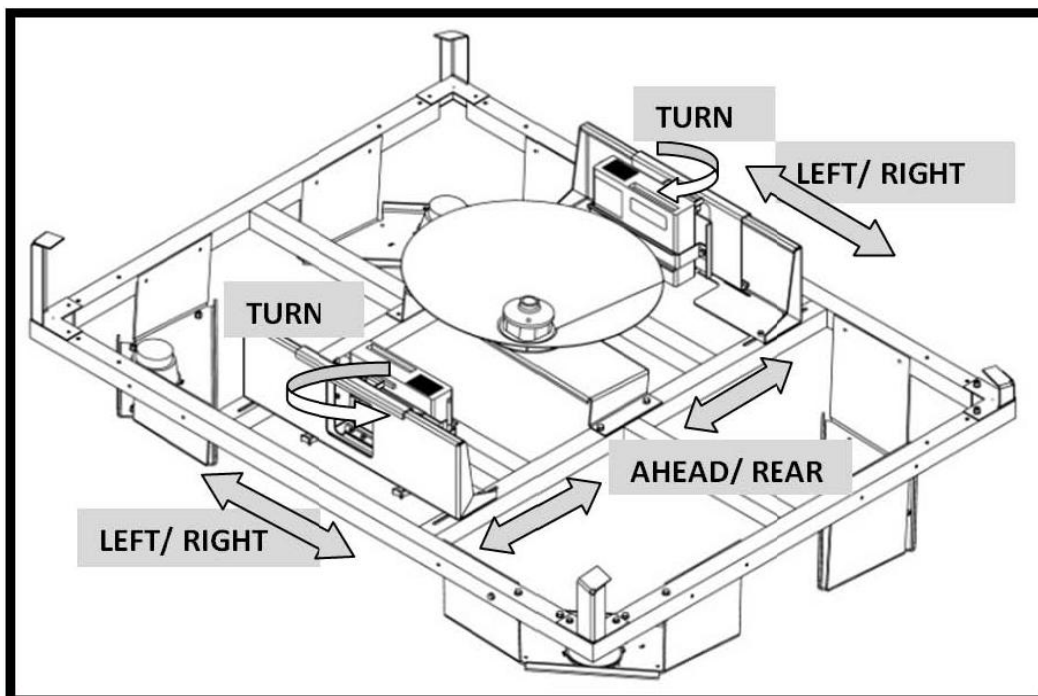
To access the described elements in this section open the appropriate door of the “UFO Bottom panel”.



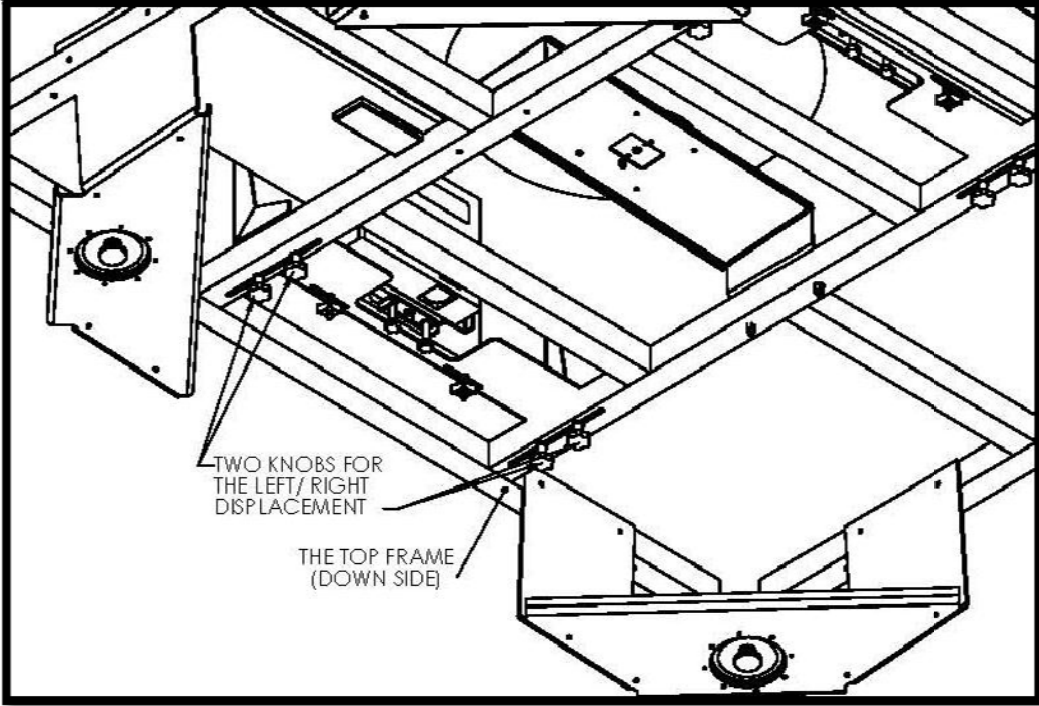
The “Stomper” has two projectors. Locate both projectors inside the UFO structure.



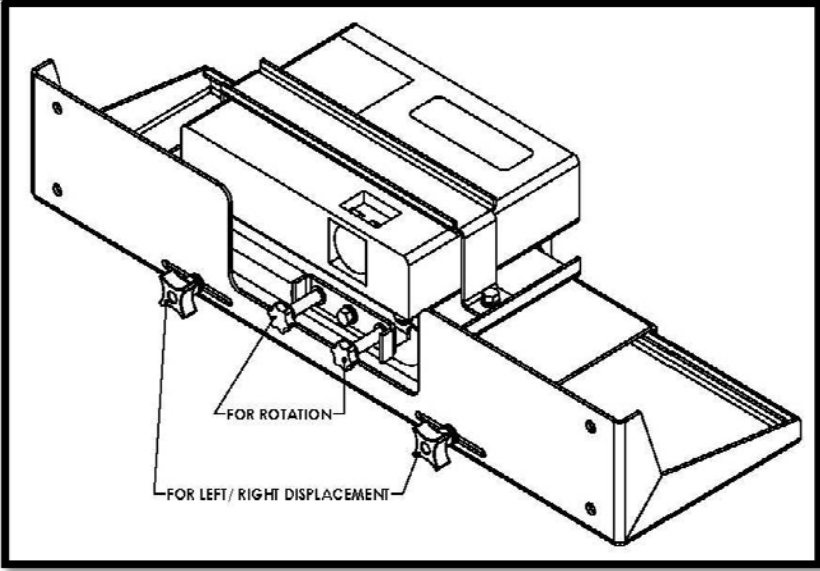
There are three different adjustments for each projector (one rotation and two translations)



For the “AHEAD / REAR” adjustments, unscrew the four knobs localized in the bottom side of the top frame like shown the below image and displace the projector’s support in the desired direction.



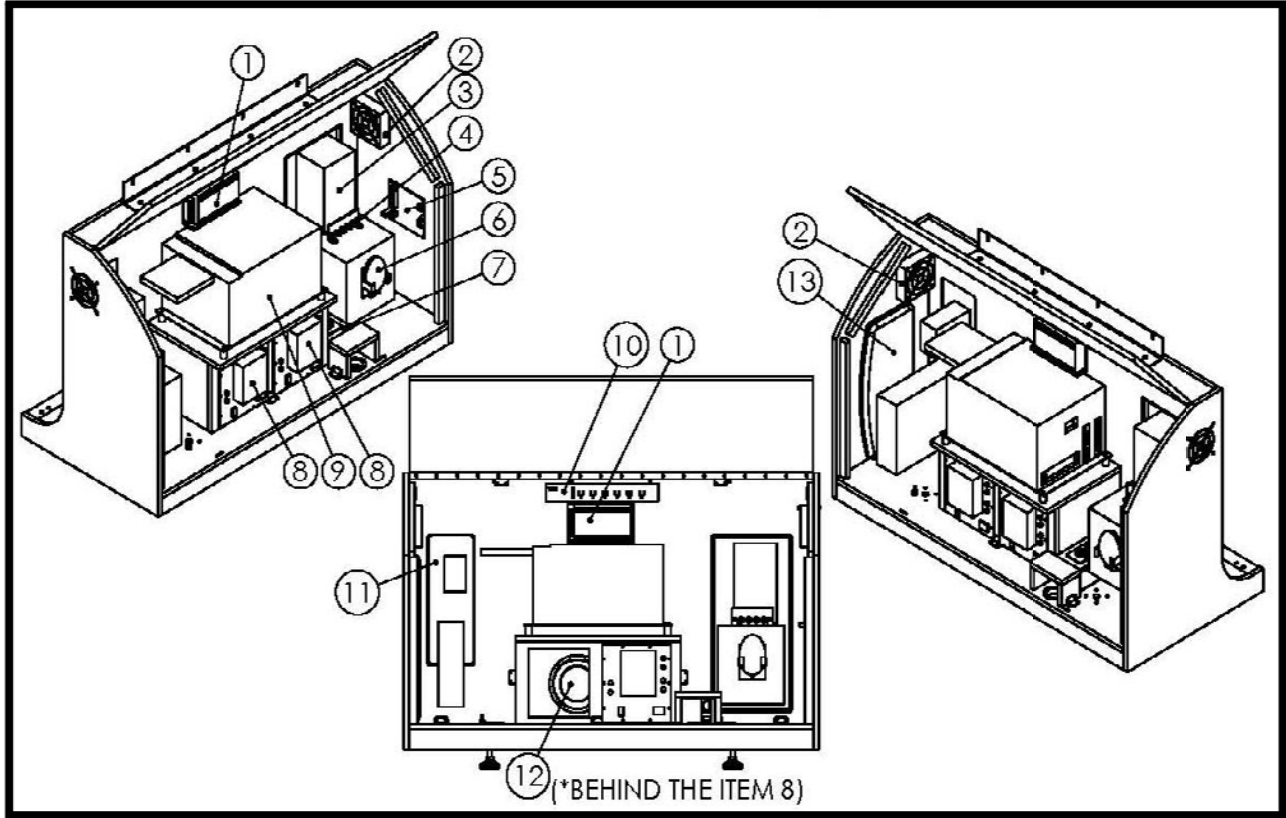
To can do the “LEFT/ RIGHT” adjustment, unscrew the two knobs localized in the bottom side of the top frame like shown the below image.



The same picture shows the knobs that you need to manipulate for the “ROTATION” adjustment.

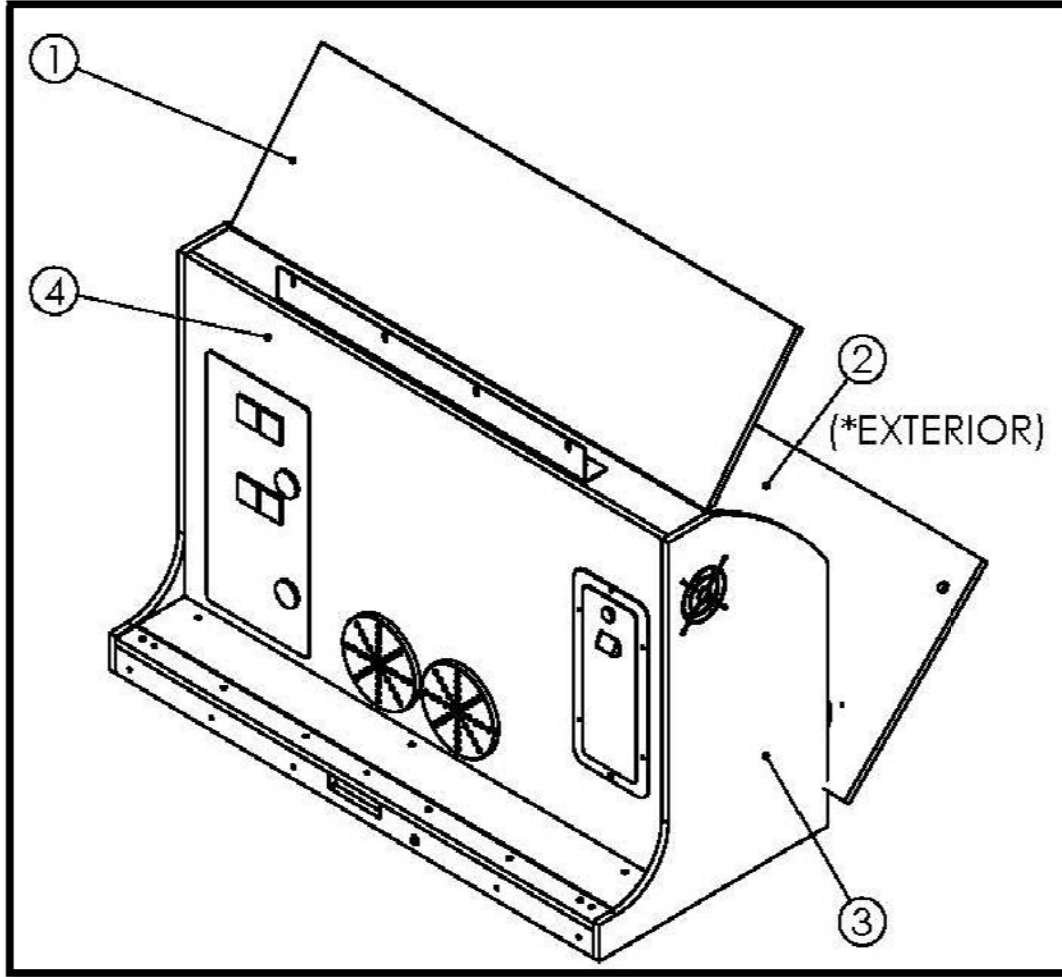
7. Service parts list

ELECTRICAL COMPONENTS



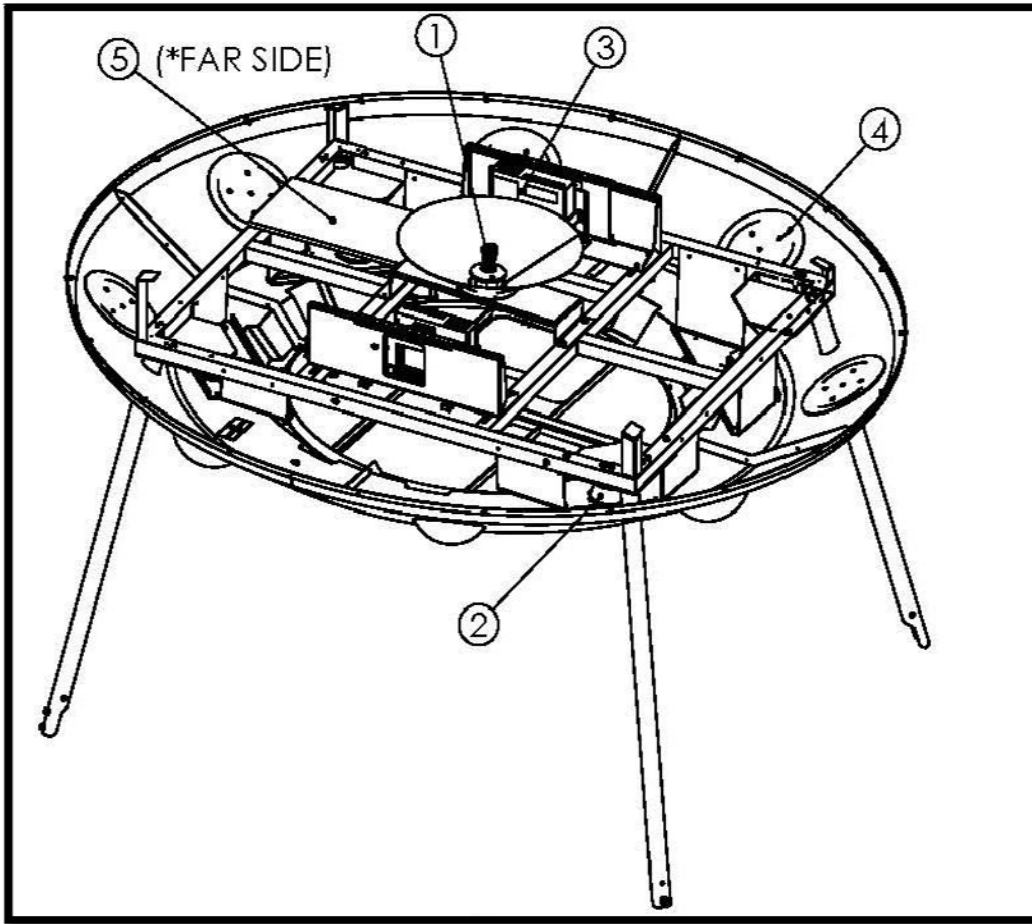
ITEM NO.	PART NUMBER	DESCRIPTION	QTY.
1	SD-150-0098	TRANFO 12V	1
2	SD-150-0004	FAN 4715FS-12T-B50	2
3	SD-150-0035	MONEY CAISSE	1
4	SD-150-0346	SWITCH	4
5	SD-150-0297	IO INTERFACE	1
6	SD-300-0052	MOUSE USB	1
7	SD-250-0071	MAIN ELECTRIC BOX	1
8	SD-700-0006	AMPLIFIER	2
9	SD-300-0027	COMPUTER	1
10	SD-150-0319	POWER BAR	1
11	SD-150-0228	TICKET DISPENSER	1
12	SD-700-0075	SUB-WOOFER 6-1/2	2
13	SD-300-0060	KEYBOARD	1

STICKERS



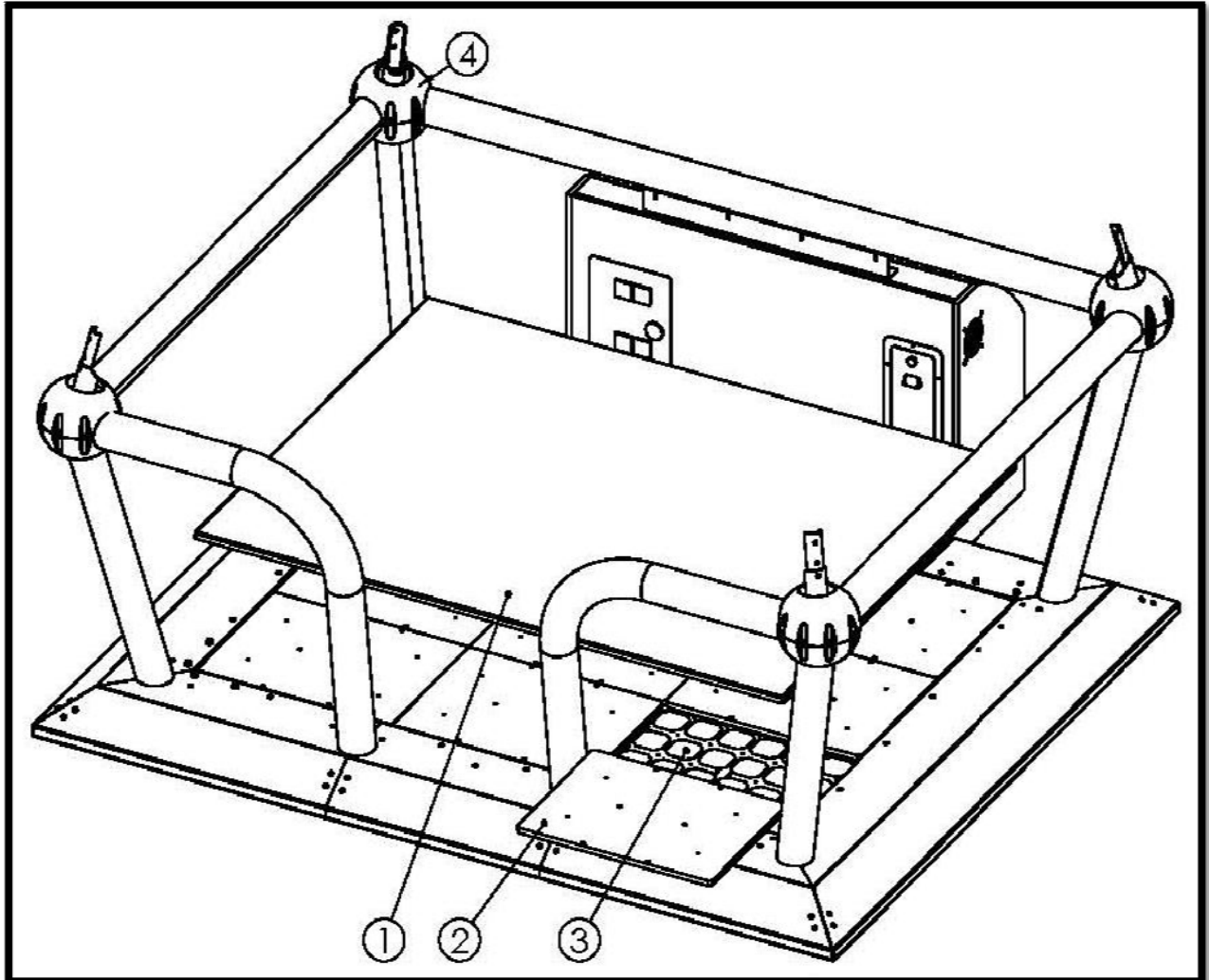
ITEM NO.	PART NUMBER	DESCRIPTION	QTY.
1	SD-650-0105	SMALL DOOR STICKER	1
2	SD-650-0106	LARGE DOOR STICKER	1
3	SD-650-0107	SIDE STICKER	2
4	SD-650-0108	FRONT STICKER	1

TOP FRAME



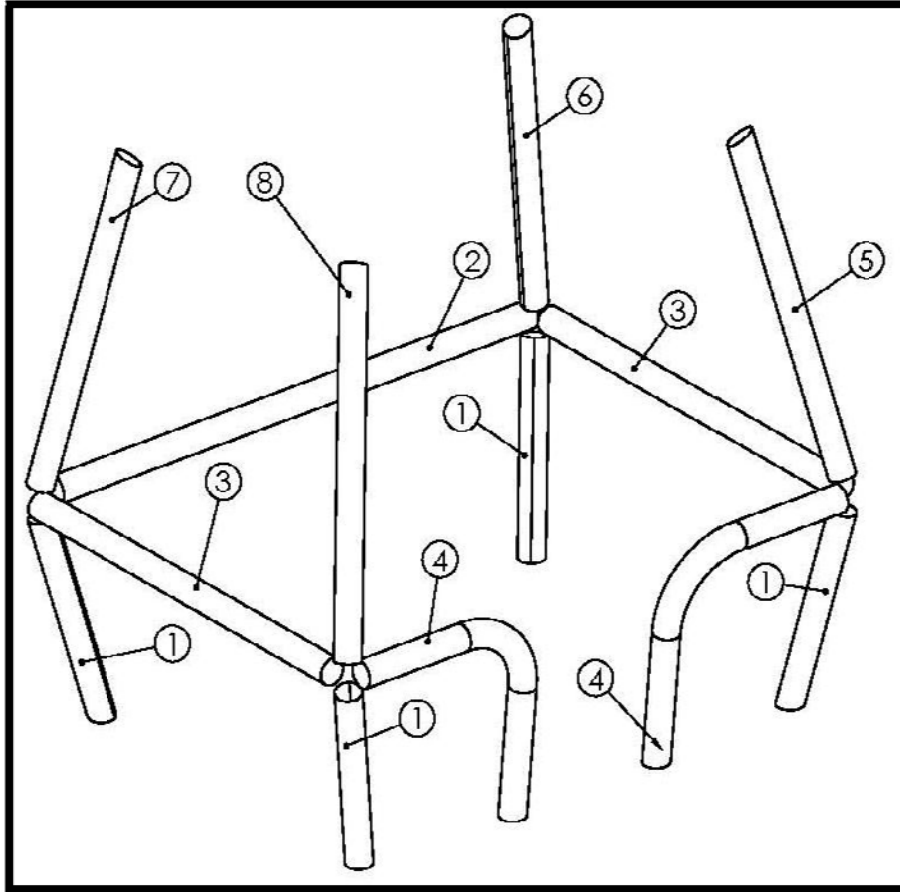
ITEM NO.	PART NUMBER	DESCRIPTION	QTY.
1	SD-150-0336	FLUO-COMPACT	1
2	SD-700-0065	SPEAKER 5.25" (2 WAY)	4
3	SD-700-0087	PROJECTEUR	2
4	SD-150-0295 & SD-150-0290	BULBE & SOCKET	32
5	SD-700-0036	SPLITER VGA (2 PORT)	1

BOTTOM FRAME



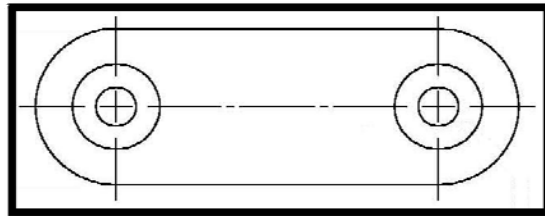
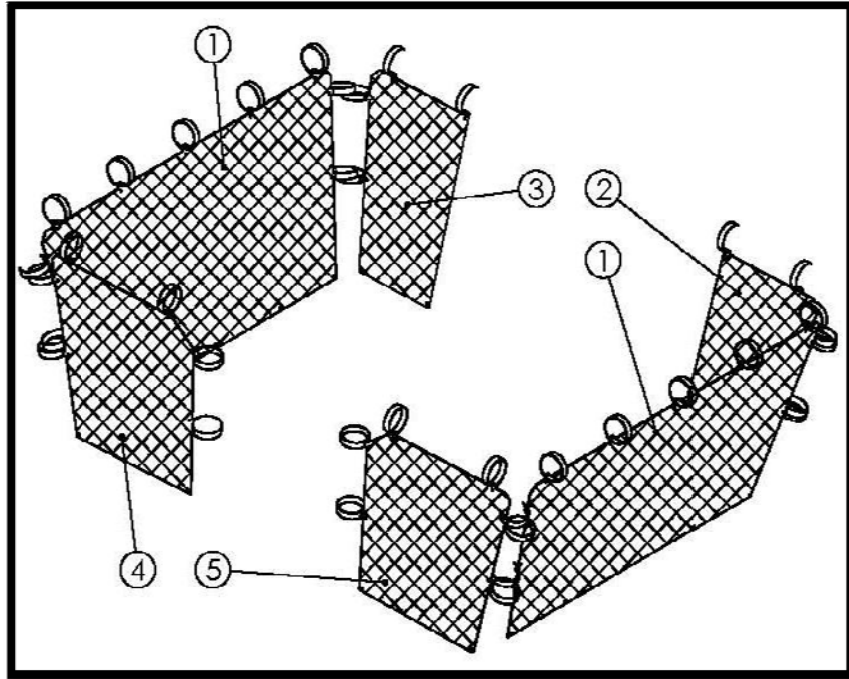
ITEM NO.	PART NUMBER	DESCRIPTION	QTY.
1	SD-400-0052	TOP FLOOR	1
2	SD-200-0276	WOOD FLOOR	9
3	SD-150-0299	SENZOR PLATE	9
4	SD-400-0061	SEMI SPHERE	8

VINYL COVERS



ITEM NO.	PART NUMBER	DESCRIPTION	QTY.
1	SD-500-0051	32 3/4" Yellow cover	4
2	SD-500-0045	86 7/8" Black cover	1
3	SD-500-0046	62 7/8" Black cover	2
4	SD-500-0052	62 3/8" Black cover	2
5	SD-500-0048	54 3/4" Yellow cover	1
6	SD-500-0050	51 5/8" Yellow cover	1
7	SD-500-0049	54 1/8" Yellow cover	1
8	SD-500-0047	57 3/8" Yellow cover	1

NET KIT



ITEM NO.	PART NUMBER	DESCRIPTION	QTY.
1	SD-500-0053	Wide net (lateral) 67" X 30"	2
2	SD-500-0057	Rear net (R) 30" X 18"	1
3	SD-500-0054	Rear net (L) 30" X 18"	1
4	SD-500-0056	Front net (L) 30" X 23"	1
5	SD-500-0055	Front net (R) 30" X 23"	1
6	SD-500-0058	STRAP 1"X3"	18